

# PLAYGROUND SPIELPLATZ

# HŘIŠTĚ DĚTSKÉ IHRISKO DĚTSKÉ

(443 x 501 x h272cm)

003\_05130\_10102024

## Marimex Play Basic 014

INSTALLATION INSTRUCTIONS  
MONTAGEANLEITUNG

NÁVOD K SESTAVENÍ  
NÁVOD NA ZOSTAVENIE

Warranty period - 2 years from purchase date

Garantiezeit - 2 Jahre ab Kaufdatum

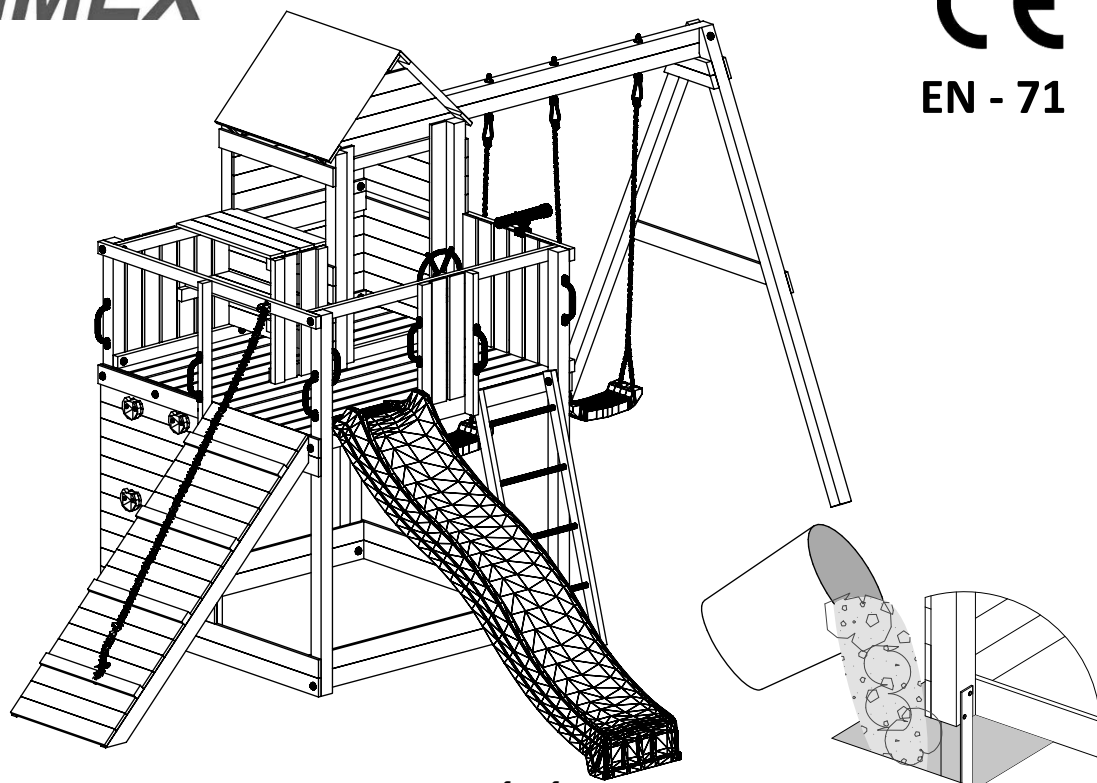
Garantiezeit - 2 Jahre ab Kaufdatum

Période de garantie - 2 ans à compter de l'achat



11640645

CE  
EN - 71



### WARNINGS!

Only for home use.

Dedicated for external use only.

Not suitable for children under 3 years old.

Risk of falling down and/or hitting.

Maximum user weight is up to 50 kg.

Maximum number of users staying on the playground at the same time: 12.

### VAROVÁNÍ!

Pouze pro domácí venkovní použití.

Není vhodné pro děti mladší 3 let.

Riziko pádu a/nebo úrazu.

Maximální váha 1 uživatele je 50kg

Maximální počet uživatelů na sestavě ve stejném čase je: 12.

### ACHTUNG!

Nur für den privaten, häuslichen Bereich.

Ausschließlich für die Verwendung im Freien.

Nicht geeignet für Kinder unter 3 Jahren.

Stolper- und / oder Sturzgefahr

Höchstgewicht pro Einzelkind beträgt 50 kg

Der Aufenthalt auf diesem Spielturm ist max. : 12.

Kindern gleichzeitig erlaubt.

### VAROVANIE!

Iba pre domáce vonkajšie použitie.

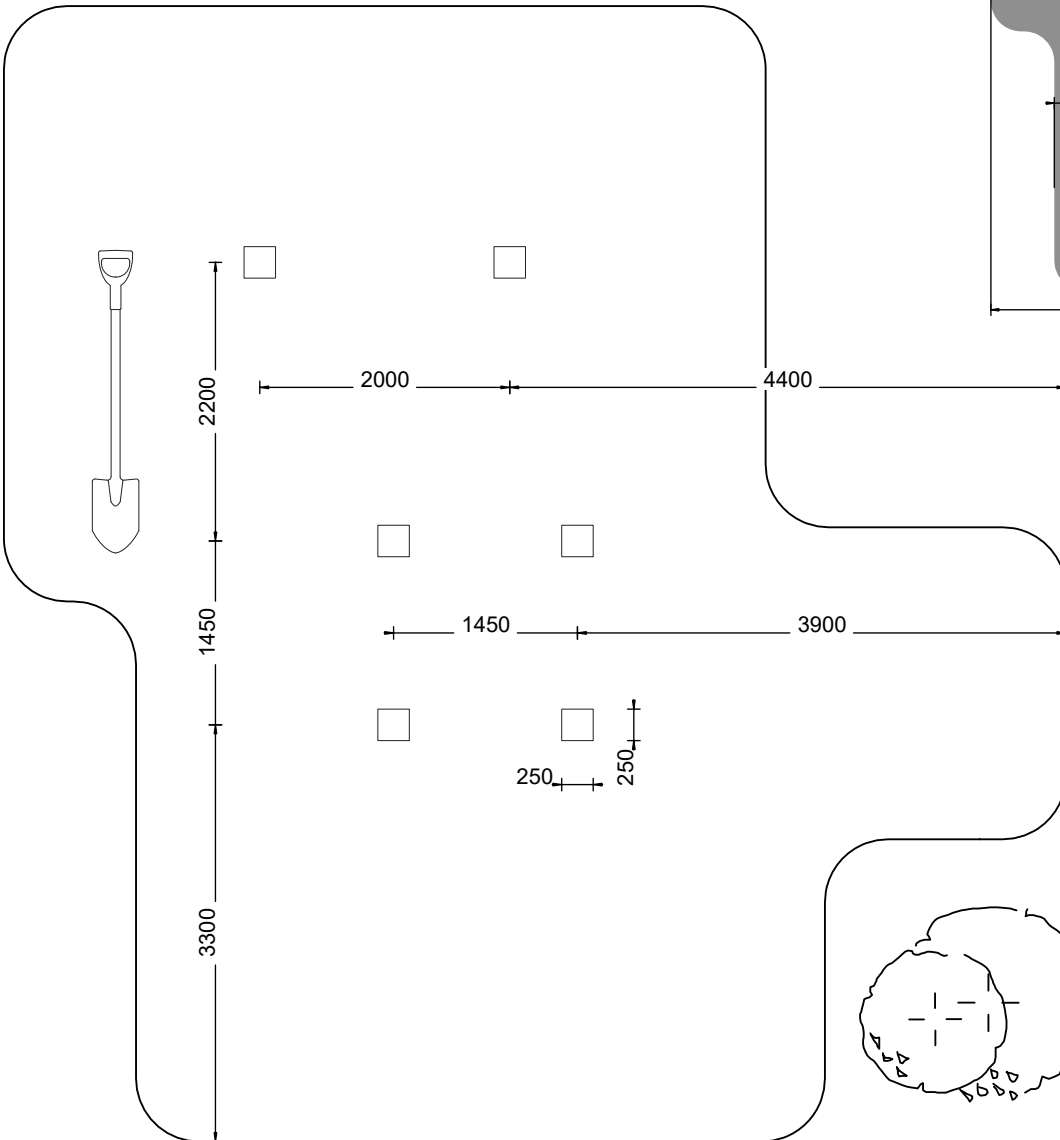
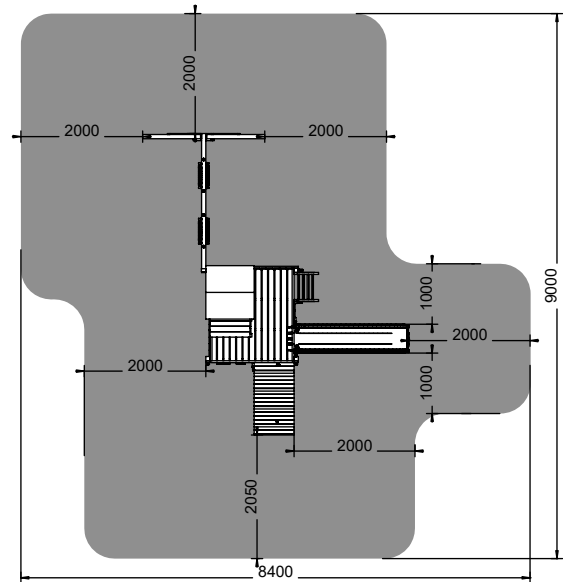
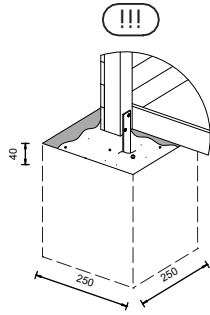
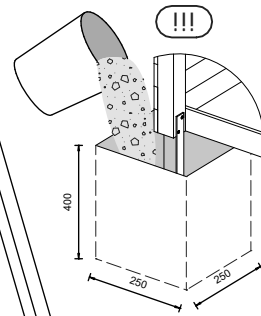
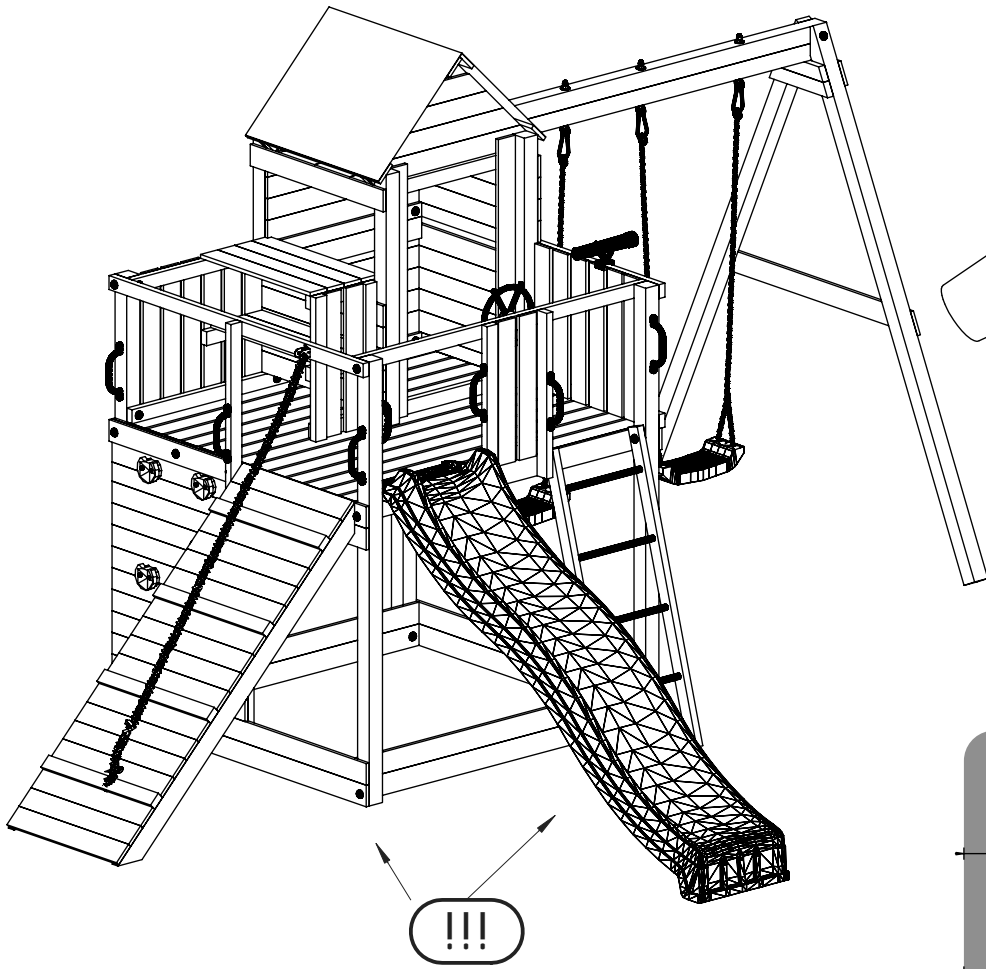
Nie je vhodné pre deti mladšie ako 3 roky.

Riziko pádu a / alebo úrazu.

Maximálna váha 1 používateľa je 50kg

Maximálny počet užívateľov na zostave v rovnakom čase je: 12.

# Marimex Play Basic 014



## ENGLISH

Thank you for buying the Fungoo playground. It is a good decision and a beneficial investment for many years of using by children. We recommend additional purchases and building up your playground! Fungoo are products manufactured with maximum concern for security of users, however, we ask you to get acquainted with the instructions below related to proper and safe use of the playground.

It should be remembered that the products from Fungoo range are playgrounds for non-public use, but they are to be used in private gardens, outside buildings and facilities, whereas accessories included in the mounting carton serve for assembling the playground only with wood, which we deliver in separate set. However, the accessories for mounting should not be used in connection with wood of the origin other than the one delivered by the company Apila Sp. z o.o. or its authorised distributor. While mounting the Fungoo playground, the installation instructions must be closely observed and in the case of any doubts, it is necessary to contact the supplier.

### INSTRUCTIONS CONCERNING SAFETY

#### I. Preparing the area

While preparing the area for a playground it is necessary to keep the safety zone of 200cm around individual elements of the playground, however, no elements permanently mounted or these, which are not installed, but that can block safe use of the playground can be located in the provided zone, around all components of the playground and their each side.

It is recommended, if possible, to place the playground in areas covered from sun and wind. It is also recommended not to mount a slide in the southern direction, which may cause its overheating and the risk of burning while its being in contact with skin.

The playground set should be placed on the area, which is specially prepared for this purpose, for the playground and the safety zone - it should be soft surface, recommended types of surface: sandy, gravelly (small grain gravel), heaped up with flaked tree bark, sawdust or mulch. Note! The playground should not be mounted on asphalt, stony, concrete, paving surfaces or on tough ground! The playground should not be installed close to or in the direction of paths, pavements or frequently visited passages.

#### II. Wood

Selecting wood during installation - delivered wood should be carefully inspected and analysed before its mounting as regards its proper placement on the playground. A required feature of wood is the fact of having knots, harsh surfaces and imperfections, which are proper for natural material, which is wood. While mounting, the wooden elements should be positioned in such a way so as their part or side, which has more favourable features, could be located in a place of more frequent contact with a user. Upper (horizontal) scantling of a swing should have as few knots as possible and the elements with knots should not be selected for this purpose. These elements, which will be damaged during installation, should be exchanged, whereas any damage of surface should be externally protected with wood priming oil or stain varnish. If there occur chips, splinters, burrs or other potentially dangerous features delivered wood or during installation - then it is necessary to level the surface with the use of a wood file, polish them with abrasive paper and protect with wood priming oil or stain varnish. After using the playground, it is not recommended to throw away parts of wood, but give them for recycling. In particular, painted or impregnated elements should

not be burnt on your own, as it results in emitting pollution and is unsafe for persons staying close. Moreover, it is not allowed to burn these elements in home stoves.

### III. Safety recommendations during installation

1. Before starting installation, it is recommended to get acquainted with the instructions and the elements included in the mounting set, in the case of detecting that any part is missing, you should contact the producer or the supplier. While installing the playground, you should definitely follow the installation instructions

2. You should use only installation elements and component parts of the playground, included in the mounting carton

3. The tools, which are necessary during installation are the following: a drill, a screwdriver, a hammer, a measuring tape, a level or a wood file and a metal file, a pencil, a woodworking saw

4. You should prepare the surface before installation and also necessary tools. Minimum 2 persons are necessary for installation and in particular, for lifting elements as well as construction.

5. Children should not be allowed to enter the playground during installation. Special caution is advised while building a construction, lifting heavy elements and mounting metal parts with a screwdriver or drilling holes. All safety instructions attached to used tools should be observed.

Moreover, protective clothes should be worn during installation

6. You should not enter the construction until the installation process has been finished.

7. Installing to the ground - the constructed set should be placed in a stable manner and levelled, then it should be fixed to the ground with the help of delivered mounting elements in compliance with the installation instructions.

If the ground, on which the playground is located, is soft and there is a risk of sedimentation or destabilisation of the set - then the local cement topping should be prepared, however, it is necessary to observe the principle of its proper hollow in the ground, so as it does not pose any threat, when the playground is used by children.

8. All elements, in particular, the ones, which are created during installation and are potentially dangerous, e.g. remains from screw and damage of metal element surfaces, should be removed, whereas uncovered surfaces should be polished with a metal file and protected from rusting e.g. by their painting with metal varnish.

9. Special attention should be paid when mounting seats to swings, however, hooks fixed on upper scantling should be vertically installed and go through thickness of the scantling, the screw protecting the hook from the top, should be driven to the limit. Distances: seats on the ground - minimum 35cm; between the seat and a construction frame - minimum 30cm; between the points of hanging the swing along a beam - minimum 50cm; between two seats - 45cm.

10. All modifications of the playground (e.g. adding accessories) can be made only in compliance with the instructions of the producer.

In order to maintain all safety aspects of the Fungoo playground, these components should not be fixed on the sets, which are delivered by other suppliers and in particular: seats, ropes, ladders or other elements that are not linked to the playground.

In the case of mounting a line or a rope ladder, they should be protected both with the upper and lower fastening, which prevents uncontrolled movement of these elements and reduces possibility of tangled ropes.

During the mounting process the guidelines defined in the installation instructions should be closely observed and in particular, these related to drilling holes under as regards application of screws, use of appropriate tips of a screwdriver, caps and other

tools. Guide hole, which are drilled for fixing screws, should be 10mm shorter than the length of screws mounted in them.

While drilling holes in scantling of the upper swing, you should remember about tight fixing of the scantling, before making a drill and about the necessity of precise drilling through the scantling (in compliance with the method described in the instruction).

Delivered fasteners should be used during installation, however, if there is a need of using other supplementary elements, they should be verified as regards their kind, type and dimension, so as the applied supplementary elements will not be worse as regards their resistance than the elements delivered in the assembly carton.

In compliance with the standard PN-EN 71,  
apply guidelines of the producer in relation to  
distances and methods of fastening individual elements

#### **IV. Keeping, maintaining, controlling and servicing the playground.**

The playground should be inspected before its each use, whereas detailed controls of elements and the whole set should be conducted before the season and during the season - at least twice a month. While conducting inspection special attention should be paid to wooden elements, checking them for any traces of degradation (decaying, moulding, rotting, etc.), all elements, on which such type of features have been observed, then they should immediately be exchanged. It is also necessary to visually check the surface of all wooden elements and in the case of detecting any losses in paint or impregnate, they uncovered surfaces should be coated with protecting agent, impregnate or stain varnish. Wood should also be verified for occurrence of splinters and other dangerous changes on the surface and after detecting them, the surfaces should be smoothed with the help of a wood file, they should be polished with abrasive paper and protected with wood priming oil or stain varnish.

Within the period of 3 months from the time of installation, it should be inspected if all metal fasteners (bolts, screws, hooks, pegs fixing to the ground, bevels) have any loose parts and in the case of their detecting, such elements should be screwed in. Such type of control should be made at least twice a year.

All bearing elements, seats, hooks, holders, climbing walls, elements fastening to the ground should be controlled as regards occurrence of traces of rust or damage, destroying or deformation. In the case when such type of problems are detected, then such elements should be exchanged. Moreover, it should be verified each time, how these elements are fastened, their resistance and durability should also be inspected.

Ropes and hooks should be controlled for their resistance - in the case of detecting worn through ropes (all places of rope friction should be controlled, both on the karabiner of the hook and on joints with a seat), deformations or corrosions of hooks or other types of damage, then these elements should be exchanged. The same situation is in the case of safety belts in bucket seats - in the case of detecting worn through parts or destroying fibres, a given element should be exchanged.

Fastening of the slide for the playground should be inspected as well as fastening of other fixed elements (such as a telescope, a steering wheel, a control wheel and others), loose elements should be screwed in.

All screw covers, sharp edges should be inspected and if there is a need, these elements should be exchanged. Finally, stability and levelling of the whole set should be controlled.

#### **V. Cleaning elements of the playground**

All elements of the playground can be cleaned with water, the elements made from material, can also be cleaned with water mixed with detergents (with mild effect). Attention should also be paid to the fact that during cleansing process the surface of elements cannot be damaged. Wooden elements should neither be cleaned with rough materials nor detergents should be used.

#### **VI. Storing after a season of using**

Disassembly of the part of the playground is not necessary for the winter season, however, it is recommended, if possible, to uninstall and store a slide, a tarpaulin roof, swing seats with ropes, telescopes, steering wheels and other removable elements.

#### **VII. Safety recommendations during use**

Children playing on the playground should always use it with close supervision of adults. It is recommended not to use the playground in unfavourable weather conditions and above all, when it rains (as many playground elements and in particular, floorboards and these in the sandpit, can be slippery and therefore, dangerous for users).

Children should do the following while playing on the playground:

- be instructed by adults how to use the playground (before starting to play), safety guidelines, allowed and not allowed types of behaviour, as well as potential dangers resulting from defective or improper use of the playground

- definitely observe the instructions provided by adults who supervise them

- wear clothes proper for weather conditions, relatively loose, however, without any elements with protruding loose parts (e.g. hoods, belts, etc.), they also should not wear elements hanged on a neck.

Children should be informed in advance that they should not jump from swings while bouncing, they should swing in the sitting position with the whole body weight in the centre of a seat and that they should not swing too high and should not come close to swings, which are moving. Moreover, they should not swing empty and unloaded seats and should not hang from seats "upside down". Two children cannot swing on one seat.

Children should also be informed about destination of each playground elements and necessity of using these elements only in compliance with their intended use, about risks resulting from defective or improper use of individual playground elements, about potential injuries, which in such cases can take place, as well as about all types of behaviour that result in such threats as e.g. hanging from constructions, sliding from a slide back to front or in another way than in a sitting position, etc. Moreover, it is not allowed to pour water on the slide.

The Contact

[www.marimex.cz](http://www.marimex.cz)

the Customer Service Centre

tel.: +420 261 222 111

e-mail: [shop@marimex.cz](mailto:shop@marimex.cz)

## BEZPEČNOSTNÍ POKYNY K UŽÍVÁNÍ DĚTSKÉHO HŘIŠTĚ MARIMEX PLAY – FUNGOO

Děkujeme Vám za zakoupení hřiště Fungoo. Udělali jste dobré rozhodnutí a výhodnou investici na mnoho let pro Vaše děti. Doporučujeme Vám i další nákupy na dotvoření Vašeho hřiště! Fungoo výrobky byly vytvořeny s maximální péčí o bezpečnost uživatelů, nicméně Vás žádáme, abyste dodržovali pokyny uvedené níže ve vztahu ke správnému a bezpečnému používání hřiště.

Pamatujte na to, že výrobky od Fungoo tvoří neveřejná hřiště, používaná v soukromých zahradách, mimo budov a zařízení, přičemž příslušenství v montážním kartonu slouží k montáži hřiště ze dřeva, které je dodáváno v samostatné sadě. Příslušenství pro montáž se ale nesmí používat se dřevěnými prvky od jiného hřiště, než je Fungoo. Během montáže hřiště Fungoo je nutné přísně dodržovat pokyny k instalaci a v případě jakýchkoliv pochybností je potřebné kontaktovat dodavatele.

### BEZPEČNOSTNÍ POKYNY

#### I. Příprava místa

Připravujete-li místo pro hřiště, je potřebné u něj zachovávat bezpečnostní oblast, která činí 200 cm kolem jednotlivých prvků hřiště. Nicméně kolem veškerých prvků hřiště a po žádné straně nesmí být žádné trvale instalované prvky nebo takové prvky, které nejsou instalovány, ale mohou blokovat bezpečný přístup k hřišti.

Je-li to možné, doporučuje se hřiště umístit do míst krytých před sluncem a větrem. Také se doporučuje nemontovat skluzavku jižním směrem, což by mohlo mít za následek přehřívání a riziko popálení u dotyku s kůží.

Dětské hřiště by se mělo umístit na místo, které je speciálně uzpůsobeno pro tento účel, tedy pro hřiště a bezpečnou zónu – mělo by se jednat o měkký povrch, přičemž doporučené typy povrchů jsou: písek, štěrk (štěrk s malými zrny), mulč, piliny. Poznámka! Hřiště se nesmí montovat na asfalt, kamenný, betonový nebo zpevněný povrch, příp. pevnou zemi! Hřiště se nesmí instalovat v blízkosti nebo ve směru cest, chodníků, příp. frekventovaných přechodů.

#### II. Dřevo

Výběr dřeva při instalaci – doručené dřevo se musí pečlivě zkontrolovat a zanalyzovat před jeho montáží ohledně vhodného umístění na hřiště. Požadovaný typ dřeva je takový, který má výběžky, hrubý povrch a nedokonalosti, které jsou typické pro přírodní materiál, kterým je dřevo. U montáže musí být dřevěné prvky umístěny takovým způsobem, aby jejich část nebo strana, která má více vyhovující prvky, byla umístěna na místě frekventovanějšího kontaktu s uživatelem. Horní (horizontální) trám houpačky by měl mít co nejméně výběžků a prvky s výběžky by se neměly volit za tímto účelem. Prvky, které se poškodí během instalace, se musí vyměnit, přičemž jakékoliv poškození povrchu je potřebné z vnější strany ochránit pomocí oleje na dřevěné nátěry nebo barevným lakem. Objeví-li se třísky, úlomky, otřepy, příp. jiné potenciálně nebezpečné prvky přinesené se dřevem nebo vzniklé v důsledku instalace – pak je potřebné zarovnat povrch pomocí pilníku na dřevo, vybrousit je brusným papírem a ochránit olejem na dřevěné nátěry nebo barevným lakem. Po finálním ukončení používání hřiště se nedoporučuje vyhazovat dřevěné části, ale odevzdat je k recyklaci. Zejména natřené a impregnované prvky nesmíte pálit sami, protože to má za následek znečištění ovzduší a působí negativně na zdraví lidí v blízkém okolí. Navíc není povoleno spalovat tyto prvky v domácích pecích a kamnech.

#### III. Bezpečnostní pokyny při instalaci

1. Před zahájením instalace se doporučuje obeznámit se s pokyny a prvky zahrnutými v této montážní sadě. Chybí-li některý díl, kontaktujte dodavatele. Při instalaci hřiště dodržujte pokyny k instalaci.
2. Používat můžete výhradně instalační prvky a komponenty hřiště, které jsou uloženy v montážním kartonu.
3. Nářadí, které je potřebné pro instalaci, je následující: šroubovák, měřicí páska, kladivo, vrták, vodováha a pilka na dřevo spolu s pilkou na kov, tužkou a pilníkem na dřevo.
4. Povrch a potřebné nářadí si připravte před instalací. Pro instalaci jsou potřebné minimálně 2 osoby, a to zejména na zvedací a stavební prvky.
5. Děti musí mít během instalace přístup na hřiště zakázán. Speciální pozornost je potřebné věnovat při stavbě, zvedání těžkých předmětů a montáží kovových částí šroubovákem nebo při vrtání děr. Při používání nářadí je potřebné dodržovat veškeré přiložené bezpečnostní pokyny. Při instalaci je nutný ochranný oděv.
6. Na konstrukci není povoleno vstoupit ostatním osobám, až do doby dokončení instalace.
7. Instalace na podloží – sestava musí být umístěna stabilním a rovným způsobem, následně upevněna k zemi pomocí doručených prvků v souladu s pokyny k instalaci.

Je-li zem, na níž je hřiště umístěno, měkká a je tu riziko sedimentace nebo nestability sestavy – je potřebné na daném místě připravit betonové lože. Je ale potřebné vytvořit adekvátní dutinu v zemi, a betonové lože adekvátně zapustit, aby nepředstavovalo nebezpečí pro děti, když si budou na hřišti hrát.

8. Veškeré prvky, zejména ty, které byly vytvořeny při instalaci, a které jsou potenciálně nebezpečné, např. zbytky šroubů a poškozené povrchy kovových prvků, se musí odstranit, přičemž jakékoliv odkryté povrchy se musí zarovnat pilkou na kov, chránit před rzí, např. nátěrem kovovým lakem.
9. Speciální pozornost je potřebné věnovat montáži sedaček na houpačky. Háky upevněné na horní trám se musí instalovat vertikálně a musí procházet hrubou stranou trámu, přičemž šroub ochranní hák musí být zašroubován až nadoraz.

#### Vzdálenosti:

- od sedačky k zemi - minimálně 35cm;
- mezi sedačkou a konstrukčním rámem - minimálně 30cm;
- mezi body zavěšení houpačky podél nosníku - minimálně 50cm;
- mezi dvěma sedačkami - 45cm.

10. Jakékoliv úpravy hřiště (např. přidání příslušenství) je možné vykonávat výhradně v souladu s pokyny výrobce.

V zájmu zachování veškerých bezpečnostních aspektů hřiště Fungoo se nesmí tyto díly upevňovat na sestavy, doručené jinými dodavateli, zejména: sedačky, lana, žebříky, příp. jiné prvky, které nejsou spojeny s hřištěm.

V případě montáže lana nebo lanového žebříku se musí obě zajistit horním a dolním upevněním, což předchází nekontrolovanému pohybu a snižuje možnost zamoření lan.

Při montáži se musí směrnice definované v pokynech k instalaci přísně dodržovat, a zejména ty, jež se vztahují k vrtání děr v souvislosti s použitím šroubů, k použití vhodných hlav šroubováku, špiček, příp. jiného nářadí. Díry, které jsou vyvrtné pro upevnění šroubů, musí být o 10mm kratší, než je délka šroubů do nich našroubovaných.

Vrtáte-li díry do horního trámu houpačky, mějte na paměti potřebu pevného utažení trámu ještě před vrtáním díry a potřebu vrtání skrz trám (v souladu s metodou popsanou v pokynech).

Dodané upevňovací prvky se musí použít během instalace. Jsou-li ale potřebné další pomocné prvky, musí se ověřit jejich druh, typ a rozměry, aby nedošlo k tomu, že použité pomocné prvky budou méně odolné než prvky dodané v montážním kartonu.

Na vzdálenosti a metody upevnění jednotlivých prvků použijte směrnice od výrobce v souladu s normou PN-EN 71.

#### IV. Udržování, kontrola a servis hřiště

Před každým použitím je potřebné dětské hřiště zkontrolovat, přičemž podrobné kontroly prvků a celé sady se musí vykonávat před sezonou a v průběhu sezony – minimálně dvakrát za měsíc. Při kontrole musíte věnovat speciální pozornost dřevěným prvkům, kontrolujíc jakékoliv stopy degradace (rozklad, plíseň, hniloba atd.), veškerým prvkům, na kterých byly takové jevy pozorovány, přičemž se musí okamžitě vyměnit. Je také potřebné vizuálně kontrolovat povrch dřevěných prvků a v případě detekce jakýchkoliv ztrát na nátěru nebo impregnaci se musí odhalený povrch natřít ochranným prostředkem, impregnovat nebo nalakovat. Dřevo je také potřebné kontrolovat z důvodu třísek a jiných nebezpečných změn na povrchu, přičemž po jejich detekci se musí povrchy vyhladit pomocí pilníku, obrousit brusným papírem a ošetřit olejem na dřevěné nátěry nebo barevným lakem.

Do 3 měsíců ode dne instalace je potřebné zkontrolovat, jestli nemají kterékoliv upevňovací prvky (šrouby s maticemi, bezmaticové šrouby, háky, kolíky pro upevnění k zemi, kužely) uvolněné části a v případě jejich detekce se musí takové prvky došroubovat. Takový typ kontroly je potřebné vykonávat minimálně dvakrát ročně.

Veškeré nosné prvky, lůžka, háky, držáky, stěny na lezení, prvky pro uchycení k zemi se musí kontrolovat, jestli nejeví stopy poškození, rzi, zničení nebo deformace. V případě identifikace takových problémů se musí tyto prvky vyměnit. Navíc je potřebné pokaždé ověřit, jak jsou tyto prvky uchyceny, a zkontrolovat jejich odolnost.

U lan a háků je potřebné kontrolovat jejich odolnost – v případě detekce opotřebování lan (se musí zkontrolovat veškeré části tření lan, jak na karabince háku, tak na spojích lůžka), deformací nebo koroze háků, příp. jiných typů poškození, se musí tyto prvky vyměnit. To samé se týká bezpečnostních pásů a sedadel s opěradlem - v případě detekce opotřebování jednotlivých částí nebo zničení vláken se musí daný prvek vyměnit.

Upevnění skluzavky na hřišti se musí také zkontrolovat, jakožto i upevnění jiných pevných prvků (jako teleskopy, kormidlo, řídicí kolo a ostatní), přičemž volné prvky se musí došroubovat.

Veškeré kryty šroubů, ostré hrany se musí kontrolovat a je-li to potřebné, musí se tyto prvky vyměnit. Nakonec je potřebné zkontrolovat i stabilitu a nivelaci celé sady.

#### V. Čištění prvků hřiště

Veškeré prvky na hřišti se mohou čistit vodou, přičemž prvky vyrobené z plastových materiálů se mohou čistit vodou smíchanou s čistícími prostředky (s mírným účinkem). Pozornost je potřebné věnovat skutečnosti, že v průběhu procesu čištění se nesmí povrch prvků poškodit. Dřevěné prvky se nesmí čistit drsnými materiály, ani čistícími prostředky.

#### VI. Uskladnění po sezoně

Demontáž části hřiště není potřebná, nicméně se pro zimní sezonu doporučuje. Je-li to možné, odmontujte a uskladněte skluzavku, plátěnou střechu, sedačky houpačky s lany, teleskopy, kormidly a ostatními odnímatelnými prvky.

#### VII. Bezpečnostní pokyny při používání

Děti hrající si na hřišti musí být vždy pod dohledem dospělých. Doporučuje se nepoužívat hřiště za nepříznivých podmínek a především v dešti (mnoho prvků hřiště a zejména základní desky a prvky v pískovišti mohou klouzat, čímž se pro uživatele stávají nebezpečnými).

Děti by se při hraní na hřišti měli řídit následujícími pravidly:

- obdržet pokyny od dospělých osob ohledně používání hřiště (před započítím hraní), bezpečnostní upozornění, dovolené a nedovolené typy chování jako i potenciální nebezpečí v důsledku vadného nebo nesprávného použití hřiště
- dodržovat pokyny poskytnuté dospělými, kteří na ně dohlížejí;
- nosit oblečení vhodné pro dané počasí, relativně volné, ale bez jakýchkoliv prvků s vyčnívajícími volnými částmi (např. kapuce, pásky atd.), přičemž nesmí mít nic zavěšené kolem krku.

Děti musí být předem informovány, že nesmí skákat z rozhoupaných houpaček, houpat se musí v sedě s váhou celého těla uprostřed sedačky, nesmí se houpat příliš vysoko a nedostat se do blízkosti pohybující se houpačky. Také nesmí houpat prázdné a odlehčené sedačky a nesmí viset ze sedaček hlavou dolů. Na jedné sedačce se nesmí nacházet dvě a více dětí.

Děti by měly být také informovány o účelu každého prvku hřiště a o potřebě použití těchto prvků pouze v souladu s jejich zamýšleným použitím, o rizicích vyplývajících z vadného nebo nesprávného použití jednotlivých prvků hřiště, o možných zraněních, které mohou v takových případech nastat, jako i o veškerých typech chování, které má za následek takové hrozby, jako např. visení z konstrukcí, klouzání se zády dopředu na skluzavce nebo jakýmkoliv jiným způsobem, než je poloha v sedě atd. Je také zakázáno lít vodu na skluzavku.

#### Kontakt

[www.marimex.cz](http://www.marimex.cz)  
Zákaznické centrum  
Tel.: +420 261 222 111  
Email: [shop@marimex.cz](mailto:shop@marimex.cz)

## DEUTSCH

Vor dem Aufbau ist der Bausatz auf Vollständigkeit und Richtigkeit zu kontrollieren. Bei einer Zwischenlagerung vor dem Aufbau darf das Holz nicht luftdicht verpackt oder in einem geschlossenen Raum ohne ausreichende Belüftung gelagert werden, da es durch natürliche Holzfeuchte schnell zu Schimmelbefall oder Stockflecken kommen kann. Es dürfen ausschließlich Bodenanker von FUNGOO verwendet werden.

Ansonsten erlischt das TÜV-Zertifikat sowie die Gewährleistung auf das Produkt. Das Zubehöropaket ist ausschließlich in Verbindung mit den gelieferten FUNGOO-Hölzern zu benutzen. Änderungen am Originalspielgerät ( z.B. das Hinzufügen eines Anbauteils ) müssen nach den Anweisungen des Herstellers ausgeführt werden. Bei der Montage der FUNGOO-Spielgeräte sollte die Montageanleitung genauestens beachtet werden.

### I. Sicherheitshinweise

Stellen Sie sicher, dass das Gelände für Ihr Spielgerät gem. Vorgabe Montageanleitung ausreichend Platz enthält. Es wird empfohlen, das Spielgerät an einer vor der Sonne u. Wind geschützten Platz aufzustellen. Darüber hinaus wird empfohlen, die Rutschwanne nicht in südlicher Richtung zu befestigen. Hier kann es je nach Sonnenintensität zu übermäßigen Erhitzung u. Zur Verbrennungsgefahr bei Hautkontakt kommen. Der Untergrund zum Aufbau Ihres Spielgerätes muß weich sein; zu empfehlen sind Sand, feinkörniger Kies, Rindenmulch, Sägespäne, zerkleinerte Baumrinde, Rasen. Das Spielgerät darf nicht auf Asphalt, Stein, Beton, Steinpflaster oder einem hart befestigten Boden montiert werden. Das Spielgerät darf auch nicht in der Nähe von Pfaden, Gehwegen oder häufig betretenen Durchgängen montiert werden.

### II. Holzeigenschaften

Das gelieferte Holz soll vor der Montage genau betrachtet werden. Zu den unentbehrlichen Eigenschaften des Holzes gehören z.B. Äste, raue Oberflächen, Harzaustritte, etc. , welche für einen natürlichen Rohstoff wie Holz typisch sind. Hölzer, die bei der Montage beschädigt werden, sollen ausgetauscht werden. Schnittstellen werden mit einer Holzfeile oder Schleifpapier geglättet u. anschließend mit einer Holschutzlasur geschützt.

### III. Sicherheitsanweisungen bei der Montage

1. Vor der Montage soll die Montageanleitung gelesen werden; die Materialien auf Stück und Qualität geprüft sein. Sollten irgendwelche Mängel festgestellt werden, bitte mit Ihrem Lieferanten Kontakt aufnehmen.
2. Es dürfen ausschließlich nur die Materialien u. Montageelemente verwendet werden, welche im Lieferumfang des Spielgerätes Fungoo mitgeliefert werden.
3. Bei der Montage werden folgende Werkzeuge benötigt: Bohrmaschine, Hammer, Wasserwaage, Holzfeile, Holzsäge, Schrauber, Bleistift.
4. Die Spielfläche gem. Anforderung des Spielturms Fungoo soll die entsprechende Fläche ausweisen. Für die Montage sind mind. 2 Personen notwendig.
5. Vor der kompletten Fertigstellung des Spielturms darf die Konstruktion nicht betreten werden.
6. Der Aufbau der Konstruktion mit den mitgelieferten Ankern muß stabil gefestigt werden. Sollte der Untergrund zu weich sein, muß dieser mit einem Betonfundament zur Stabilität der Anker versehen

werden.

7. Alle, und insbesondere die bei der Montage entstandenen, potentiellen u. Gefährlichen Elemente, bspw. Beschädigungen der Oberflächen von Metallelementen, sollen entfernt u. durch Anstreichen einer speziellen Farbe für Metall wieder geschützt werden.

8. Eine besondere Aufmerksamkeit muß bei der Montage der Schaukelsitze beachtet sein. Die am oberen Kantholz zu befestigenden Haken sollen vertikal befestigt werden, sowie durch die Stärke des Kantholzes durchgehen. Die Sicherungsmutter, die den Haken von oben sichert, muß bis zum Anschlag eingedreht werden.

Distanzen:

- a) Sitz vom Boden – mind. 35 cm
- b) Sitz u. Konstruktionsrahmen – mind. 30 cm
- c) Aufhängepunkte der Schaukel – mind. 50 cm
- d) Zwischen 2 Sitzen – mind. 45 cm

9. Veränderungen am Spielturn Fungoo ( bspw. Hinzufügen von Zubehör ) dürfen ausschließlich nur gem. Anleitungen des Herstellers durchgeführt werden.

Es ist nicht gestattet, daß an den Fungoo-Spieltürmen, von anderen Lieferanten gelieferte Komponente, insb. Sitze, Seile, Leitern montiert werden.

Bei der Befestigung des Seils oder eines Hängeseils muß darauf geachtet werden, dass diese oben wie unten an der Befestigung gesichert werden. Dies verhindert die Möglichkeit einer Seilverwicklung.

Vorbohrungen, die im Hinblick auf die Befestigung der Schrauben angebohrt werden, sollen um 10 mm kürzer als die Schraubenlänge sein. Beim Anbohren der Hölzer für die Schaukelbefestigung soll gem. der in der Anleitung beschriebenen Methode durchgeführt sein.

Bei der Montage sollen die mitgelieferten Verbindungselemente verwendet werden; falls jedoch andere Ersatzelemente in Anspruch genommen werden, sollen diese im Hinblick auf Art, Typ u. Ausmaß geprüft sein, damit die verwendeten Ersatzelemente in Hinsicht auf die Festigkeit nicht schlechter als die Montagekarton gelieferten Elemente sind.

### IV. Instandhaltung, Wartung, Kontrolle u. Instandsetzung des Spielturms

Der Spielturn soll vor jedem Gebrauch kontrolliert werden. Ausführliche Kontrollen der Elemente u. der gesamten Konstruktion sollen permanent durchgeführt werden; hier mind. 2 x pro Monat. Die Holzelemente sollen auf Spuren der Abnutzung ( Fäulnis, Schimmel, Morschheit, etc. ) gesondert u. mit besonderer Aufmerksamkeit kontrolliert werden. Sollten Abnutzungen sichtbar sein, müssen diese unverzüglich ausgetauscht werden. Die Oberflächen der Hölzer müssen bei abgedeckten Oberflächen mit einem Holzschutzmittel neu angestrichen werden.

Innerhalb von max. 3 Monaten ab der Montage des Spielturms sollen alle Metallbefestigungen ( Schrauben, Haken, Heringe, Winkeleisen, etc. ) auf ihre Festigkeit geprüft sein. Falls diese locker sind, müssen diese wieder festgeschraubt werden. Diese Kontrolle soll mind. 2x im Jahr ausgeführt werden.

Alle Trageelemente, Sitze, Haken, Griffe, Kletterwände, Befestigungselemente für den Boden sollen hinsichtlich Rostspuren oder Zerstörung, Beschädigungen oder Verformung geprüft werden. Bei Feststellung solcher Probleme sollen die entsprechenden Elemente ausgetauscht werden. Die Seile u.

Haken an den Schaukeln sollen hinsichtlich Ihrer Festigkeit kontrolliert werden. Falls das Durchscheuern von Seilen, Korrosion von Haken oder andere Beschädigungen festgestellt werden, müssen diese unverzüglich ausgetauscht werden. Dies gilt auch bei den Schaukelsitzen.

Die Befestigung der Rutschwanne am Spielturm, sowie die Befestigung anderer Festelemente ( bspw. Telescope, Lenkrad, Steuerrad, etc. ) sollen auf Lockerheit geprüft werden u. Ggfls. wieder festgeschraubt werden.

## **V. Sicherheitsanweisungen für die Spielturmbenutzung**

Die auf dem Spielturm spielenden Kinder sollen immer unter Aufsicht von Erwachsenen sein. Es wird empfohlen, bei ungünstigen Wetterbedingungen – vor allem bei Regen- den Spielturm nicht zu benutzen. Die Kinder sind vor dem Spielen auf dem Spielturm von den Verantwortlichen auf die Gefahren u. Ein entsprechendes Verhalten hinzuweisen. Auch sollten die Sicherheitsregeln allen Kindern bekannt gemacht sein. Die Kinder haben den Anweisungen der Erwachsenen zu folgen. Die Erwachsenen sollen vor dem Spielen die Kleidung der Kinder prüfen; Kapuzen, Gürtel, abstehende Kordeln u. evtl. Halsbänder sollten abgelegt werden.

## **VI. Weitere Aufklärungen durch die Erwachsenen:**

- beim Schaukeln nicht aus der Schaukel abspringen
- das Schaukelbrett zentral benutzen
- nicht zu hoch Schaukeln
- nicht zu nahe an der sich in Bewegung befindenen Schaukel kommen
- das Schaukeln zu zweit ist zu untersagen
- die Rutschwanne darf nicht bewässert werden

Es sollen die Empfehlungen des Herstellers in Bezug auf die Entfernung u. Befestigungsmethode einzelner Elemente gem. der Norm PN-EN71 beachtet werden.

Die Montageanleitung soll für ihre zukünftige Verwendung aufbewahrt werden.

Falls Sie Fragen haben, bzw. unsicher sind u. Zweifel haben, wenden Sie sich bitte an Ihren Fachhändler.

### **Der Kontakt**

[www.marimex.cz](http://www.marimex.cz)

die Kundezentrum

tel.: +420 261 222 111

e-mail: [shop@marimex.cz](mailto:shop@marimex.cz)



**BEZPEČNOSTNÉ POKYNY K POUŽÍVANIU DETSKÉHO  
IHRISKA MARIMEX PLAY – FUNGOO**

Ďakujeme Vám za zakúpenie ihriska Fungoo. Urobili ste dobré rozhodnutie a výhodnú investíciu na mnoho rokov pre Vaše deti. Odporúčame Vám aj ďalšie nákupy na dotvorenie Vášho ihriska! Fungoo výrobky boli vytvorené s maximálnou starostlivosťou o bezpečnosť používateľov, avšak žiadame Vás, aby ste dodržiavali pokyny uvedené nižšie vo vzťahu k správne a bezpečnému používaniu ihriska. Pamätajte na to, že výrobky od Fungoo tvoria neverejné ihriská, používané v súkromných záhradách, mimo budov a zariadení, pričom príslušenstvo v montážnom kartóne slúži na montáž ihriska z dreva, ktoré doručíme v samostatnej súprave. Príslušenstvo na montáž sa ale nesmie používať s ihriskami inej značky ako je Fungoo. Počas montáže ihriska Fungoo je nutné prísne dodržiavať pokyny na inštaláciu a v prípade akýchkoľvek pochybností je potrebné kontaktovať dodávateľa.

**BEZPEČNOSTNÉ POKYNY****I. Príprava miesta**

Ak pripravujete miesto na ihrisko, je potrebné pri ňom zachovávať bezpečnostný odstup, ktorý je 200 cm okolo jednotlivých prvkov ihriska. Avšak okolo všetkých prvkov ihriska a po žiadnej strane nesmú byť žiadne trvale inštalované prvky alebo také prvky, ktoré nie sú inštalované, ale môžu blokovat' bezpečný prístup k ihrisku.

Ak je to možné, odporúča sa ihrisko umiestniť do miest krytých pred slnkom a vetrom. Tiež sa odporúča nemontovať šmykľavku južným smerom, čo by mohlo mať za následok prehrievanie a riziko popálenia pri dotyku s kožou.

Ihrisko by sa malo umiestniť na miesto, ktoré je špeciálne prispôbené na tento účel, teda na ihrisko a bezpečnú zónu – malo by ísť o mäkký povrch, pričom odporúčané typy povrchov sú: piesok, štrk (štrk s malými zrnami), mulč, piliny. Poznámka! Ihrisko sa nesmie montovať na asfalt, kamenný, betónový alebo spevnený povrch, príp. pevnú zem! Ihrisko sa nesmie inštalovať v blízkosti alebo v smere ciest, chodníkov, príp. frekventovaných prechodov.

**II. Drevo**

Výber dreva pri inštalácii – doručené drevo sa musí starostlivo skontrolovať a zanalyzovať pred jeho montážou, čo sa týka vhodného umiestnenia na ihrisko. Požadovaný typ dreva je taký, ktorý má výbežky, hrubý povrch a nedokonalosti, ktoré sú typické pre prírodný materiál, ktorým je drevo. Pri montáži sa musia drevené prvky umiestniť takým spôsobom, aby ich časť alebo strana, ktorá má viac vyhovujúce prvky, bola umiestnená na mieste frekventovanejšieho kontaktu s používateľom. Horný (horizontálny) trám hojdačky by mal mať čo najmenej výbežkov a prvky s výbežkami by sa nemali voliť s týmto cieľom. Tieto prvky, ktoré sa poškodia počas inštalácie sa musia vymeniť, pričom akékoľvek poškodenie povrchu je potrebné z vonkajšej strany ochrániť pomocou oleja na drevené nátery alebo farebným lakom. Ak sa objaví triesky, úlomky, výčnelky, príp. iné potenciálne nebezpečné prvky prinesené s drevom alebo vzniknuté v dôsledku inštalácie – potom je potrebné zarovnať ich povrch pomocou pilníka na drevo, vybrúsiť ich brúsnym papierom a ochrániť olejom na drevené nátery alebo farebným lakom. Po používaní ihriska sa neodporúča vyhadzovať drevené časti, ale odovzdať ich na recykláciu. Najmä natreté a impregnované prvky nesmiete páliť sami, pretože to má za následok znečistenie ovzdušia a pôsobí negatívne na zdravie ľudí v blízkom okolí. Navyše nie je povolené spaľovať tieto prvky v domácich peciach.

**III. Bezpečnostné pokyny pri inštalácii**

1. Pred začatím inštalácie sa odporúča oboznámiť sa s pokynmi a prvkami zahrnutými v tejto montážnej súprave. Ak chýba niektorý diel, kontaktujte dodávateľa.

2. Pri inštalácii ihriska dodržujte pokyny na inštaláciu. Používať môžete výhradne inštalčné prvky a komponenty ihriska, ktoré sú uložené v montážnom kartóne.

3. Náradie, ktoré je potrebné na inštaláciu, je nasledujúce: skrutkovač, meracia páska, kladivo, vrták, vodováha a pílkou na drevo spolu s pílkou na kov, ceruzkou a pilníkom na drevo.

4. Povrch a potrebné náradie si pripravte pred inštaláciou. Na inštaláciu sú potrebné minimálne 2 osoby najmä pre zdvíhacie a stavebné prvky.

5. Deti musia mať počas inštalácie prístup na ihrisko zakázaný. Špeciálnu pozornosť je potrebné venovať pri stavbe, zdvíhaní ťažkých predmetov a montáži kovových častí skrutkovačom alebo pri vŕtaní dier. Pri používaní náradia je potrebné dodržiavať všetky priložené bezpečnostné pokyny. Pri inštalácii je nutný ochranný odev.

6. Na konštrukciu nie je povolené vstúpiť až do času dokončenia inštalácie.

7. Inštalácia na podložie – súprava na stavenie sa musí umiestniť stabilným a rovným spôsobom, následne upevniť k zemi pomocou doručených prvkov v súlade s pokynmi na inštaláciu.

Ak je zem, na ktorej je ihrisko umiestnené mäkká a je tu riziko sedimentácie alebo nestability súpravy - je potrebné na danom mieste pripraviť betónové lôžka. Je ale potrebné vytvoriť adekvátnu dutinu v zemi, aby nepredstavovalo nebezpečenstvo pre deti, keď sa budú na ihrisku hrať.

8. Všetky prvky, najmä tie, ktoré boli vytvorené pri inštalácii a ktoré sú potenciálne nebezpečné, napr. zvyšky skrutiek a poškodené povrchy kovových prvkov sa musia odstrániť, pričom akékoľvek odkryté povrchy sa musia zarovnať pílkou na kov, chrániť pred hrdzou, napr. náterom kovovým lakom.

9. Špeciálnu pozornosť je potrebné venovať montáži sedačiek na hojdačky. Háky upevnené na horný trám sa musia inštalovať vertikálne a musia prechádzať hrubou stranou trámu, pričom skrutka chrániaca hák sa musí zaskrutkovať až na doraz.

Vzdialenosti:

- od sedačky k zemi – minimálne 35 cm;

- medzi sedačkou a konštrukčným rámom – minimálne 30 cm;

- medzi bodmi zavesenia hojdačky pozdĺž nosníka – minimálne 50 cm;

- medzi dvoma sedačkami – 45 cm.

10. Akékoľvek úpravy ihriska (napr. pridanie príslušenstva) je možné vykonávať výhradne v súlade s pokynmi výrobcu.

V záujme zachovania všetkých bezpečnostných aspektov ihriska Fungoo sa nesmú tieto diely upevňovať na zostavy doručené inými dodávateľmi, najmä: sedačky, laná, rebríky, príp. iné prvky, ktoré nie sú spojené s ihriskom.

V prípade montáže lana alebo lanového rebríka sa musia obe zaistiť horným a dolným upevnením, čo predchádza nekontrolovanému pohybu a znižuje možnosť zamotania lán.

Pri montáži sa musia smernice definované v pokynoch na inštaláciu prísne dodržiavať, a najmä tie, ktoré sa vzťahujú na vŕtanie dier v súvislosti s použitím skrutiek, na použitie vhodných hláv skrutkovača, špičiek, príp. iného náradia. Diery, ktoré sú

vyvŕtané na upevnenie skrutiek, musia byť o 10 mm kratšie, ako je dĺžka skrutiek do nich naskrutkovaných.

Ak vítate diery do horného trámu hojdačky, majte na pamäti potrebu pevného dotiahnutia trámu ešte pred vŕtaním diery a potrebu vŕtania cez trám (v súlade s metódou popísanou v pokynoch).

Dodané upevňovacie prvky sa musia použiť počas inštalácie. Ak sú ale potrebné ďalšie pomocné prvky, musí sa overiť ich druh, typ a rozmery, aby nedošlo k tomu, že použité pomocné prvky budú menej odolné ako prvky dodané v montážnom kartóne.

Na vzdialenosti a metódy upevnenia jednotlivých prvkov použite smernice od výrobcu v súlade s normou PN-EN 71.

#### IV. Udržiavanie, kontrola a servis ihriska

Pred každým použitím je potrebné detské ihrisko skontrolovať, pričom podrobné kontroly prvkov a celej súpravy sa musia vykonávať pred sezónou a v priebehu sezóny – minimálne dvakrát za mesiac. Pri kontrole musíte venovať špeciálnu pozornosť dreveným prvkom, kontrolujúc akékoľvek stopy degradácie (rozklad, pleseň, hniloba, atď.), všetkým prvkom, na ktorých sa také javy pozorovali, pričom sa musia okamžite vymeniť. Je tiež potrebné vizuálne kontrolovať povrch drevených prvkov a v prípade detekcie akýchkoľvek strát na nátere alebo impregnácii sa musí odhalený povrch natrieť ochranným prostriedkom, impregnovať alebo nalakovať. Drevo je tiež potrebné kontrolovať z dôvodu triesok a iných nebezpečných zmien na povrchu, pričom po ich detekcii sa musia povrchy vyhladiť pomocou pilníka, obrúsiť brúsny papierom a ošetriť olejom na drevené nátery alebo farebným lakom.

Do 3 mesiacov odo dňa inštalácie je potrebné skontrolovať, či nemajú ktorékoľvek upevňovacie prvky (skrutky s maticami, bezmaticové skrutky, háky, kolíky na upevnenie k zemi, kužele) uvoľnené časti a v prípade ich detekcie sa musia také prvky doskrutkovať. Taký typ kontroly je potrebné vykonávať minimálne dvakrát ročne.

Všetky nosné prvky, lôžka, háky, držiaky, steny na lezenie, prvky na prichytenie k zemi sa musia kontrolovať, či nejavia stopy poškodenia, hrdze, zničenia alebo deformácie. V prípade identifikácie takýchto problémov sa musia tieto prvky vymeniť. Navyše je potrebné zakaždým overiť, ako sú tieto prvky prichytené a skontrolovať ich odolnosť.

Pri lanách a hákoch je potrebné kontrolovať ich odolnosť (v prípade detekcie opotrebovania lán sa musia skontrolovať všetky časti trenia lán, tak na karabínke háka, ako aj na spojoch lôžka), deformáciu alebo koróziu hákov, príp. iných typov poškodenia, sa musia tieto prvky vymeniť. To isté sa týka bezpečnostných pásov a sedadiel s operadlom – v prípade detekcie opotrebovania jednotlivých častí alebo zničenia vlákien sa musí daný prvok vymeniť.

Upevnenie šmykľavky na ihrisku sa musí tiež skontrolovať, ako aj upevnenie iných pevných prvkov (ako teleskopy, kormidlo, riadiace koleso a ostatné), pričom voľné prvky sa musia doskrutkovať. Všetky kryty skrutiek, ostré hrany sa musia kontrolovať a ak je to potrebné, musia sa tieto prvky vymeniť.

Nakoniec je potrebné skontrolovať aj stabilitu a niveláciu celej súpravy.

#### V. Čistenie prvkov ihriska

Všetky prvky na ihrisku sa môžu čistiť vodou, pričom prvky vyrobené z plastových materiálov sa môžu čistiť vodou zmiešanou čistiacimi prostriedkami (s miernym účinkom). Pozornosť je potrebné venovať skutočnosti, že v priebehu procesu čistenia sa nesmie povrch prvkov poškodiť. Drevené prvky sa nesmú čistiť drsnými materiálmi, ani čistiacimi prostriedkami.

#### VI. Uskladnenie po ukončení sezony

Demontáž časti ihriska nie je potrebná, avšak na zimnú sezónu sa odporúča. Ak je to možné, odmontujte a uskladnite šmykľavku, plátenú strechu, sedačky hojdačky s lanami, teleskopmi, kormidlami a ostatnými snímateľnými prvkami.

#### VII. Bezpečnostné pokyny pri používaní

Deti hrajúce sa na ihrisku musia byť vždy pod dohľadom dospelých. Odporúča sa nepoužívať ihrisko za nepriaznivých podmienok a predovšetkým keď prší (veľa prvkov ihriska a najmä základné dosky a prvky v pieskovisku sa môžu šmykať, čím sa pre používateľa stávajú nebezpečnými).

Deti by sa pri hraní na ihrisku mali riadiť nasledujúcimi pravidlami:

- získať pokyny od dospelých osôb týkajúce sa používania ihriska (pred začatím hrania), bezpečnostné upozornenia, dovolené a nedovolené typy správania, ako aj potenciálne nebezpečenstvo v dôsledku chybného alebo nesprávneho použitia ihriska ;

- dodržiavať pokyny poskytnuté dospelými, ktorí na ne dozerajú;

- nosiť oblečenie vhodné pre dané počasie, relatívne voľné, ale bez akýchkoľvek prvkov s vyčnievajúcimi voľnými časťami (napr. kapucne, opasky, atď.), pričom nesmú mať nič zavesené okolo krku.

Deti musia byť vopred informované, že nesmú skákať z rozhodnutých hojdačiek, hojdať sa musia v sede s hmotnosťou celého tela uprostred sedačky, nesmú sa hojdať príliš vysoko a nedostať sa do blízkosti pohybujúcej sa hojdačky. Tiež nesmú hojdať prázdne a odľahčené sedačky a nesmú visieť zo sedačiek hlavou dole. Na jednej sedačke sa nesmú nachádzať dve a viac detí.

Deti by mali byť tiež informované o účele každého prvku ihriska a o potrebe použitia týchto prvkov iba v súlade s ich zamýšľaným použitím, o rizikách vyplývajúcich z chybného alebo nesprávneho použitia jednotlivých prvkov ihriska, o možných zraneniach, ktoré môžu v takých prípadoch nastať, ako aj o všetkých typoch správania, ktoré má za následok také hrozby, ako napr. vistenie z konštrukcií, kĺzanie sa chrbtom dopredu na šmykľavke alebo akýmkoľvek iným spôsobom, ako je poloha v sede, atď. Je tiež zakázané liať vodu na šmykľavku.

**Marimex SK s.r.o.**

Rožňavská 17

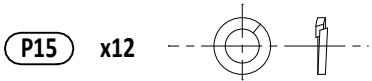
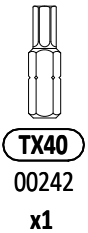
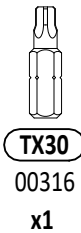
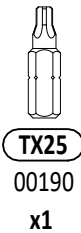
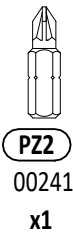
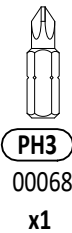
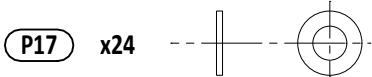
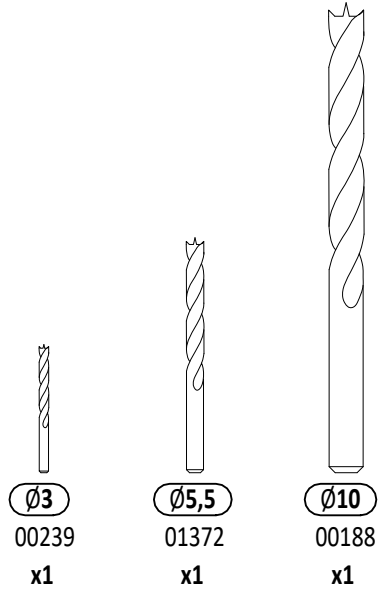
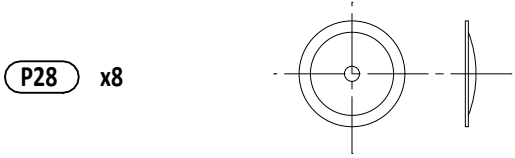
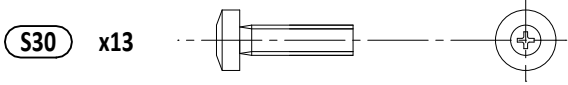
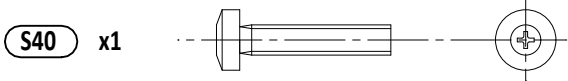
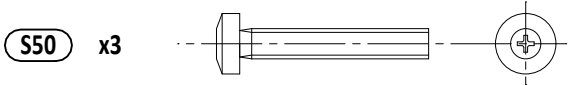
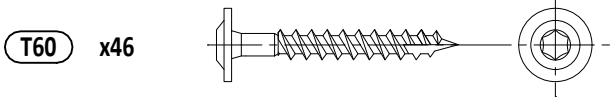
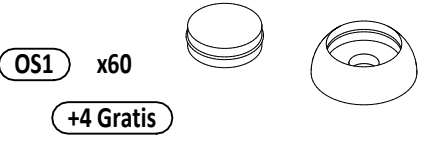
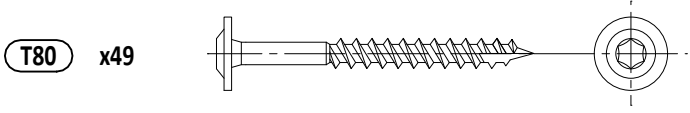
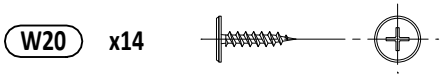
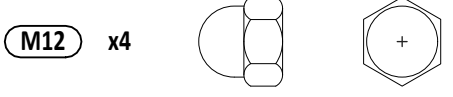
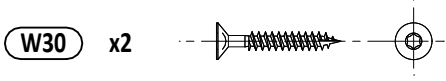
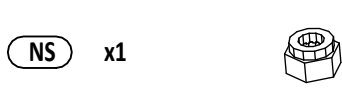
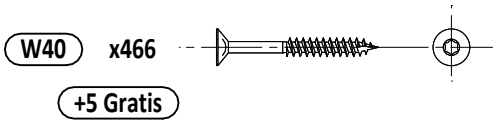
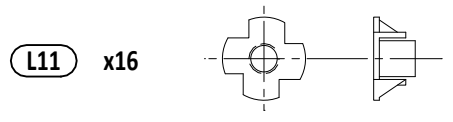
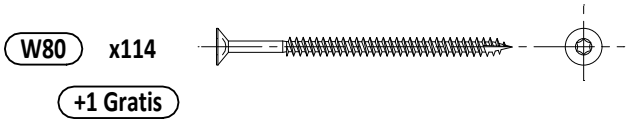
Bratislava

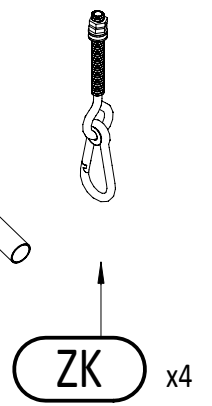
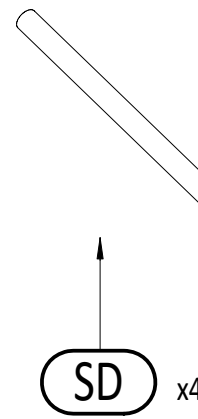
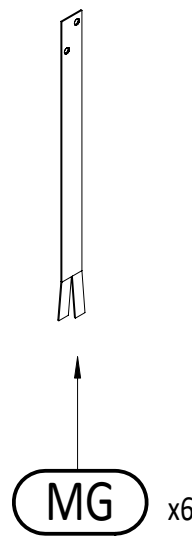
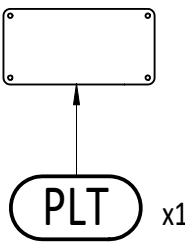
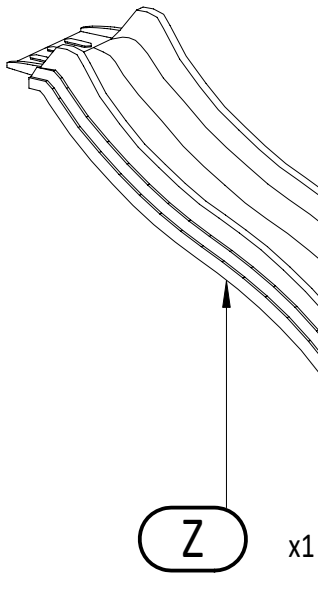
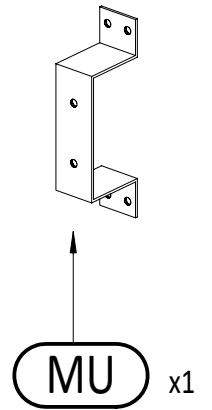
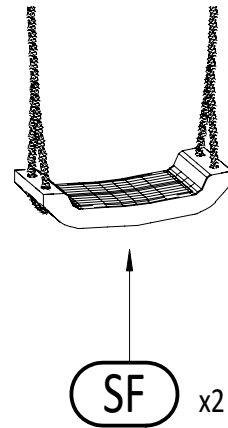
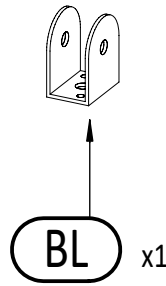
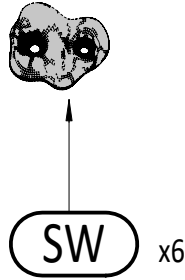
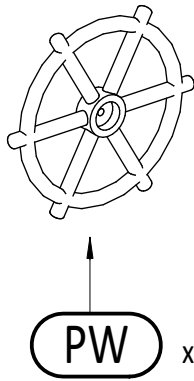
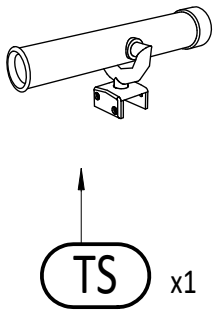
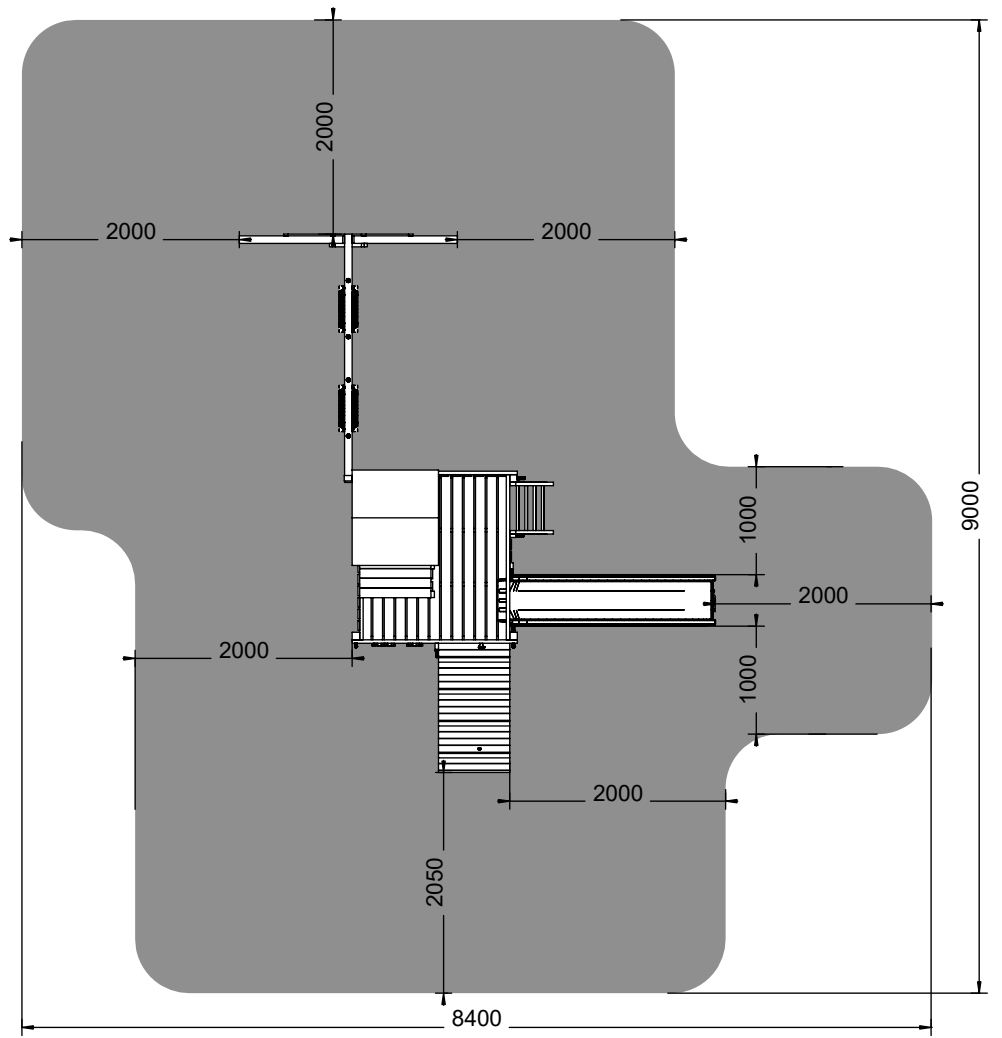
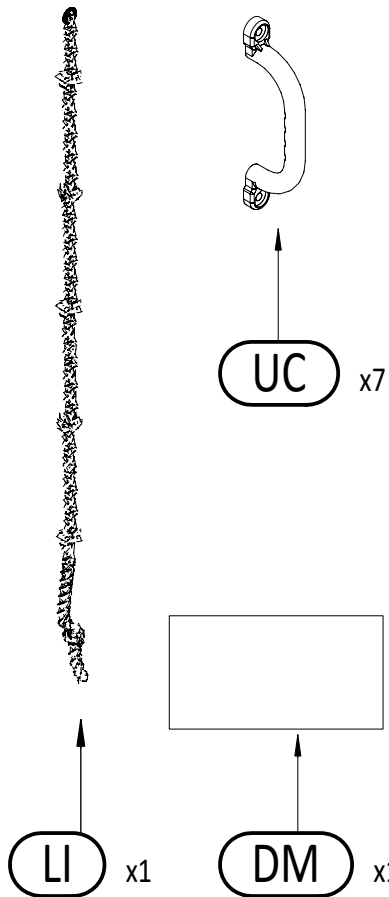
831 04

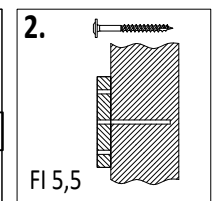
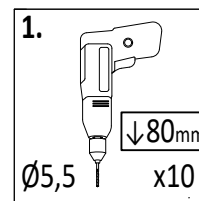
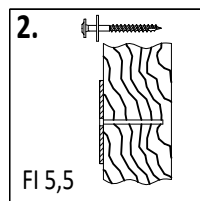
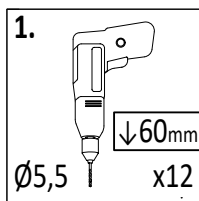
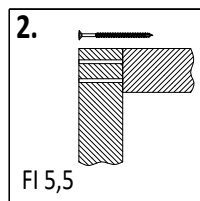
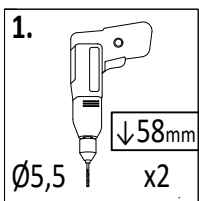
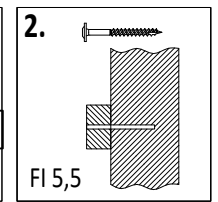
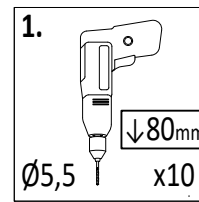
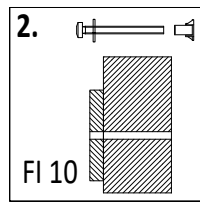
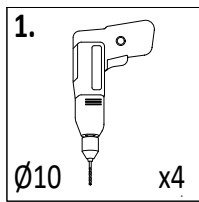
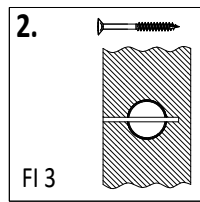
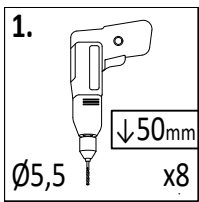
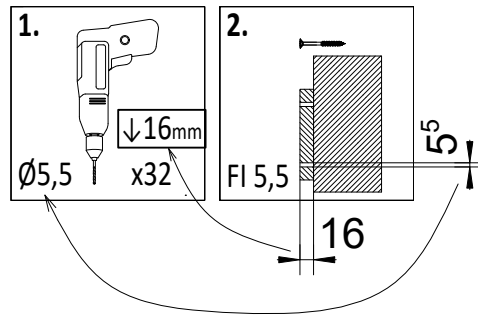
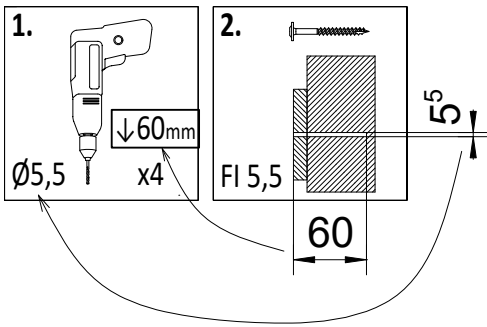
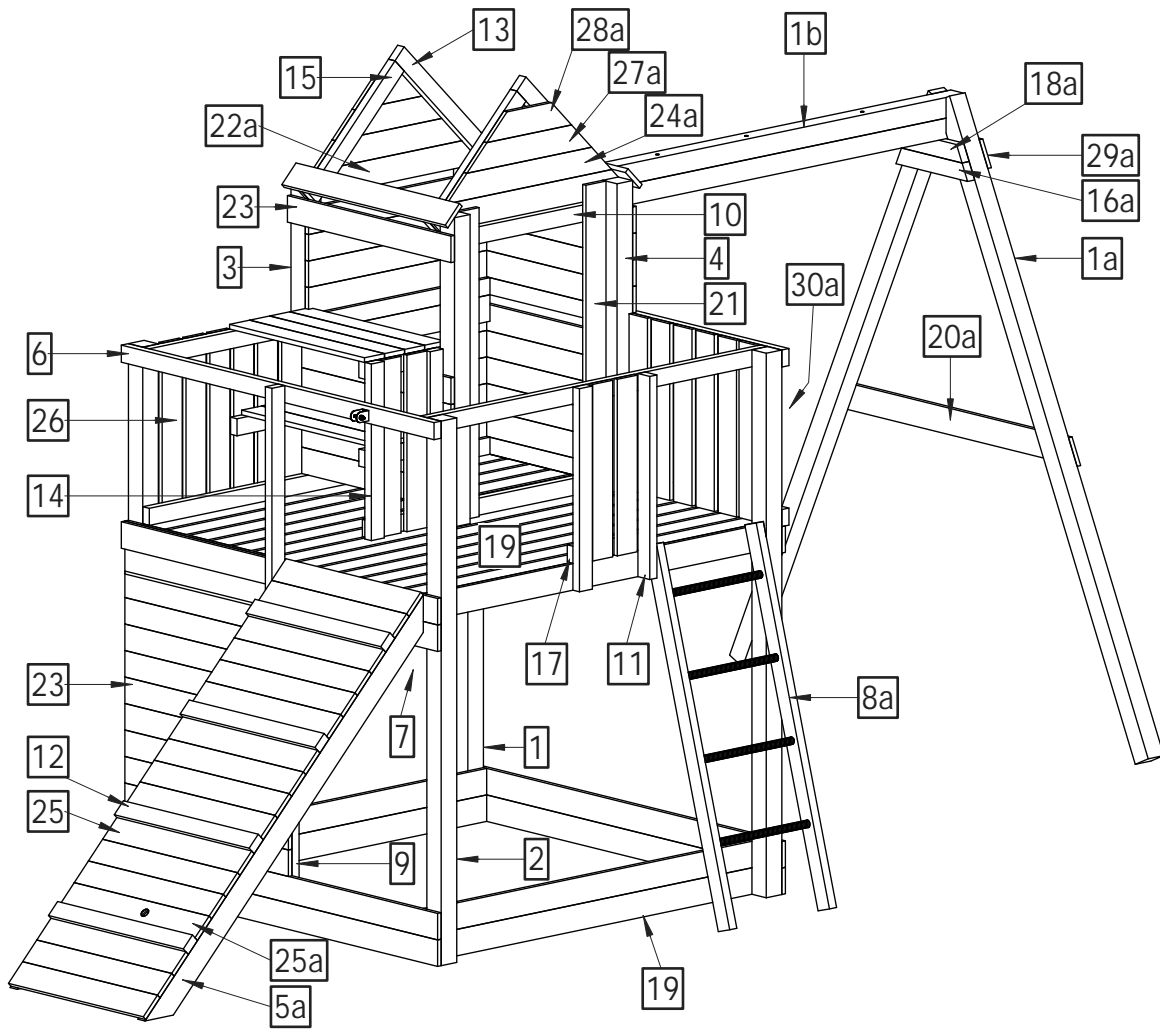
Tel: 00421 2/444 53 001

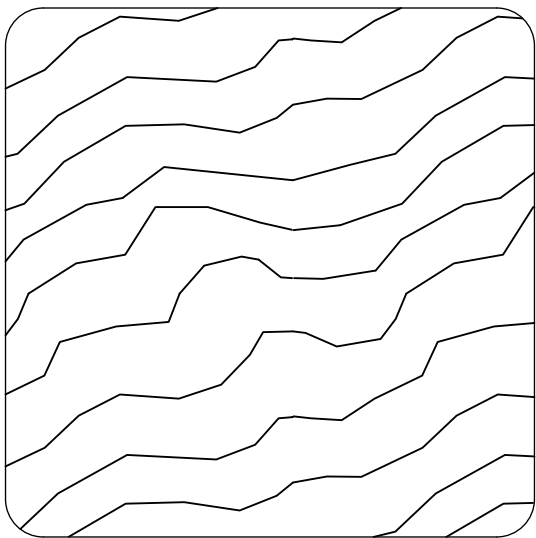
00421 2/330 04 194

www.marimex.sk



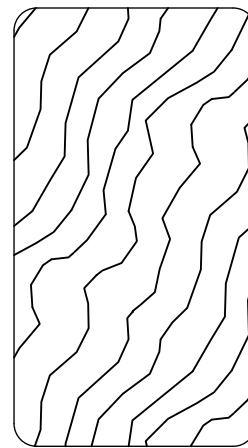






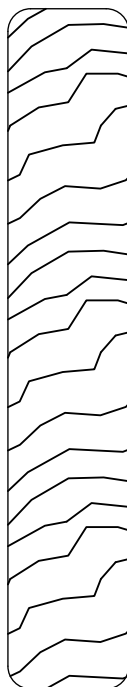
**7,0 x 7,0 cm**

Ozn.	Kod	Rozměr/Rozmer(mm)	ks.
1	04451	70x70x2300mm	1
1a	04453	70x70x2300mm	2
1b	04598	70x70x2300mm	2
2	03931	70x70x1850mm	3
3	04761	70x70x1140mm	1
4	04763	70x70x1050mm	2

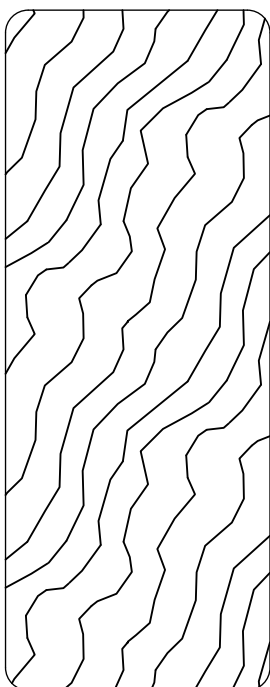


**3,2 x 5,8 cm**

Ozn.	Kod	Rozměr/Rozmer(mm)	ks.
6	05357	32x58x1530mm	6
7	05359	32x58x1358mm	4
8a	04613	32x58x1300mm	2
9	04523	32x58x1150mm	1
10	04457	32x58x800mm	2
11	04615	32x58x690mm	3
12	04182	32x58x660mm	4
13	04617	32x58x610mm	2
14	03100	32x58x600mm	2
15	04619	32x58x550mm	2
16a	04461	32x58x350mm	1
17	04765	32x58x320mm	5
18a	04463	32x58x296mm	1



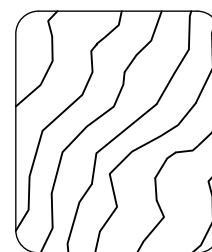
**1,6 x 9,0 cm**



**3,5 x 9,0 cm**

Ozn.	Kod	Rozměr/Rozmer(mm)	ks.
5a	04474	35x90x1800mm	2

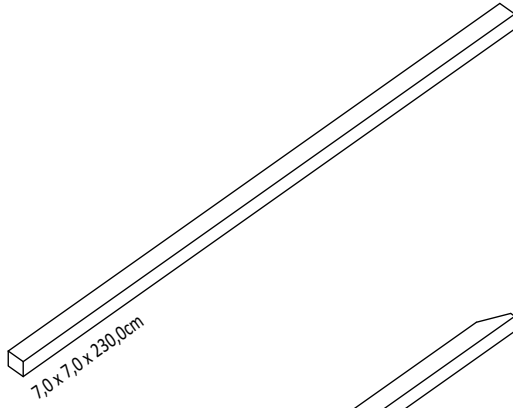
Ozn.	Kod	Rozměr/Rozmer(mm)	ks.
19	04767	16x90x1530mm	26
20a	03920	16x90x1200mm	1
21	04635	16x90x1050mm	2
22a	04643	16x90x860mm	2
23	04465	16x90x800mm	41
24a	04546	16x90x740mm	2
25	04096	16x90x660mm	23
25a	04098	16x90x660mm	1
26	04625	16x90x600mm	16
27a	04467	16x90x560mm	2
28a	04548	16x90x380mm	2
29a	04469	16x90x325mm	1



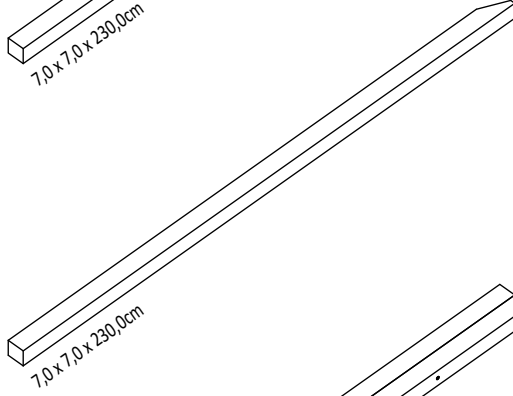
**2,7 x 3,2 cm**

Ozn.	Kod	Rozměr/Rozmer(mm)	ks.
30a	04471	27x32x542mm	1

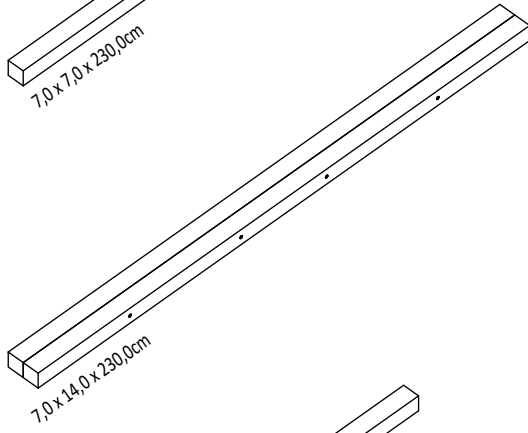
1



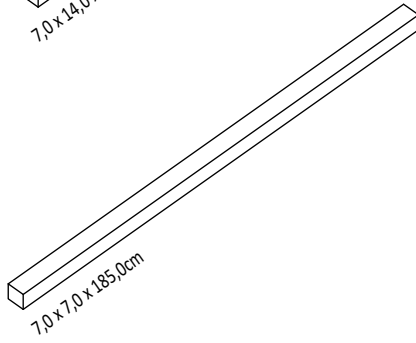
1a



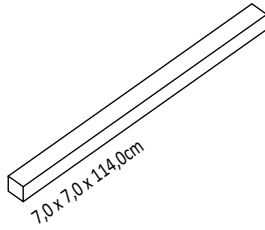
1b



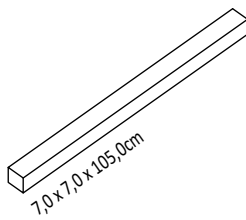
2



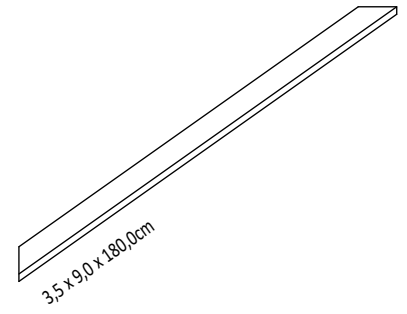
3



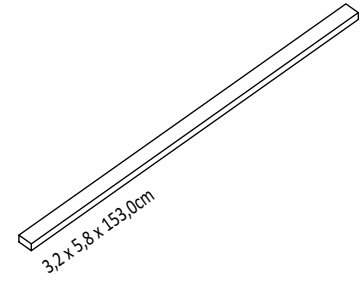
4



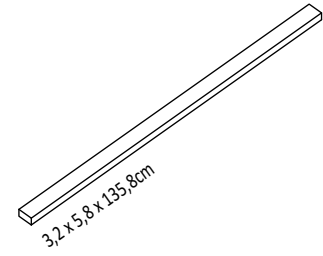
5a



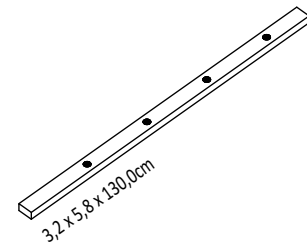
6



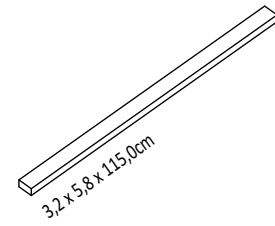
7



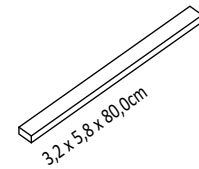
8a



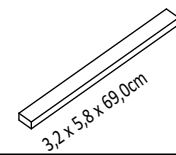
9



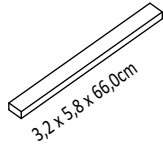
10



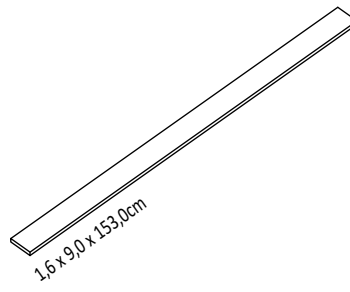
11



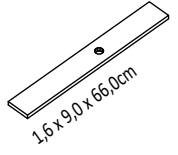
12



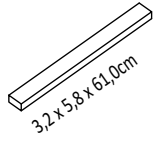
19



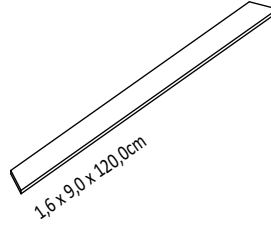
25a



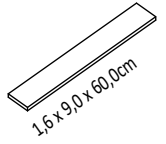
13



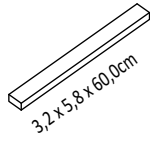
20a



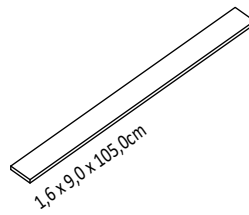
26



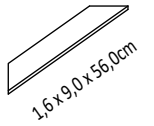
14



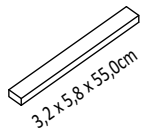
21



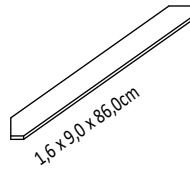
27a



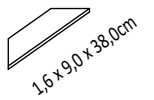
15



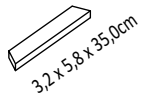
22a



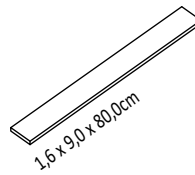
28a



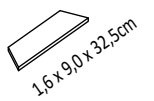
16a



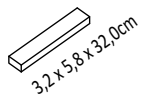
23



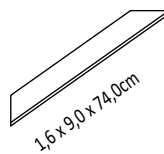
29a



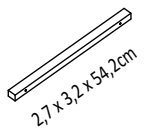
17



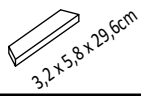
24a



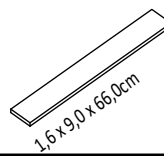
30a



18a

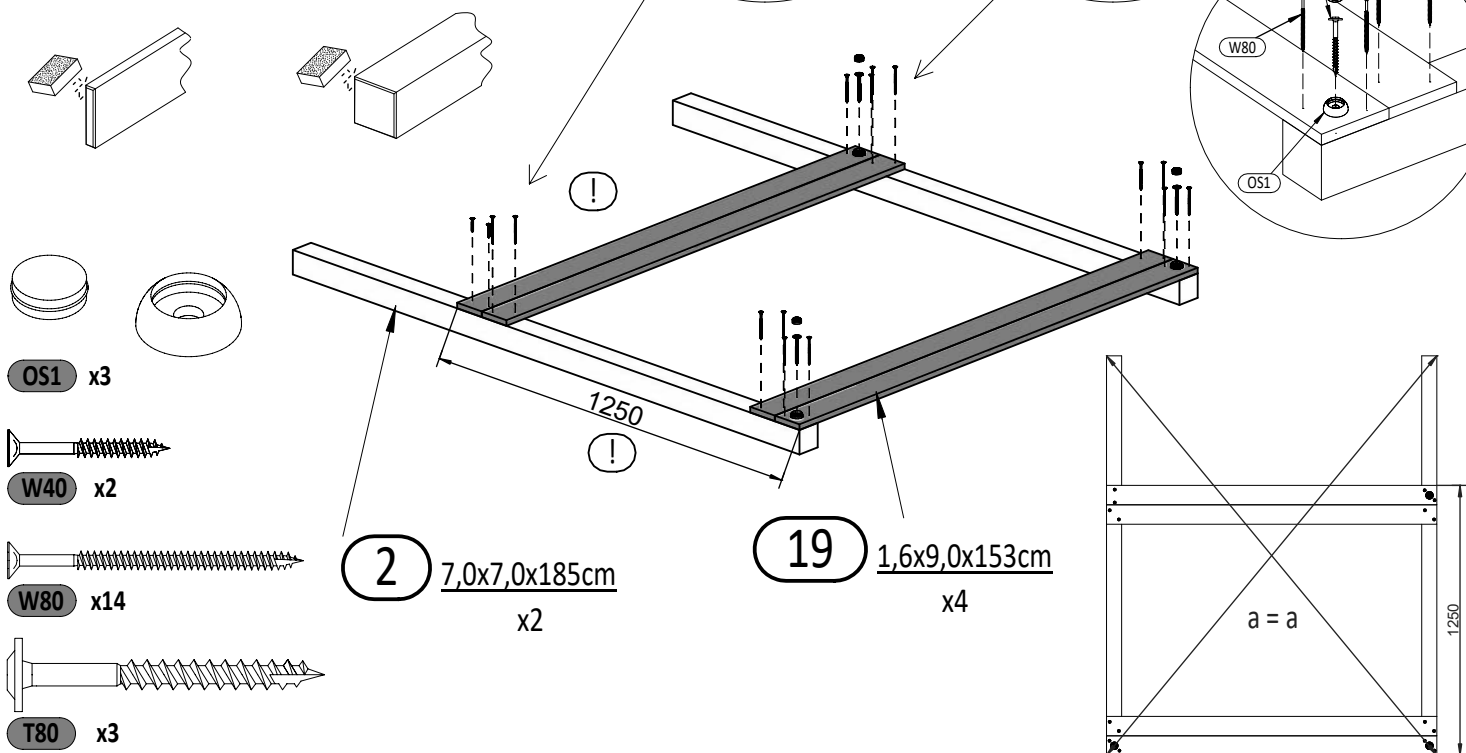
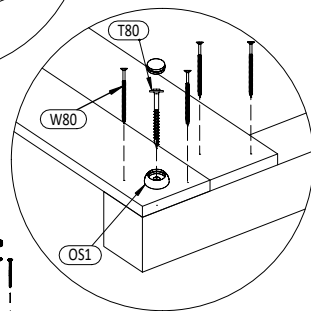
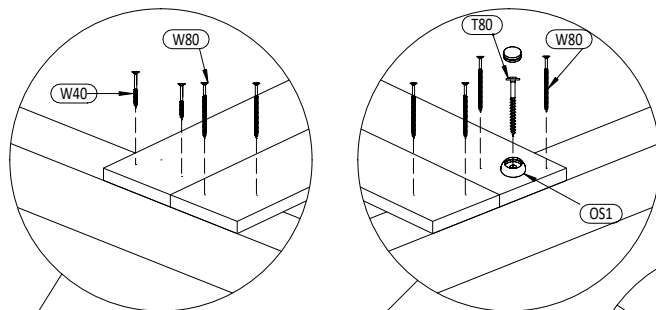
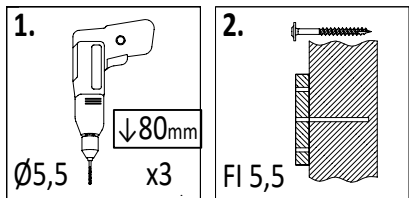


25

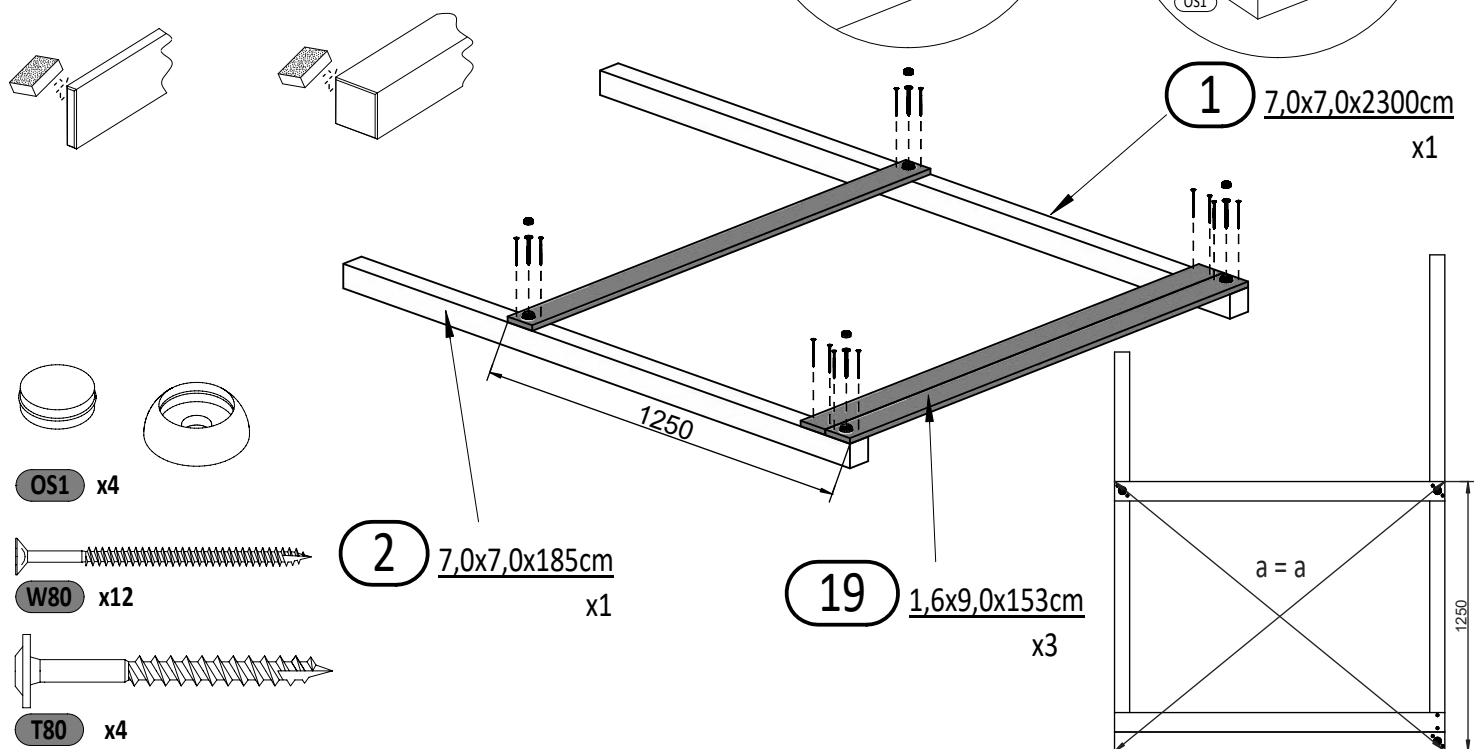
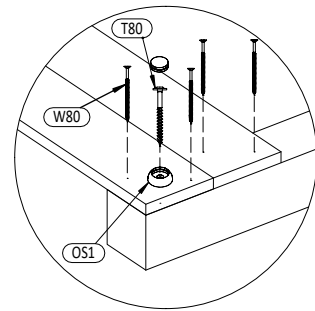
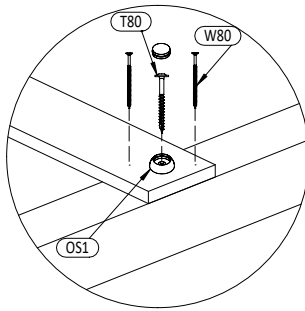
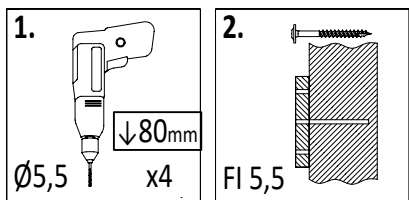


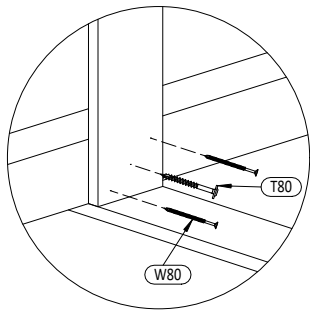


01

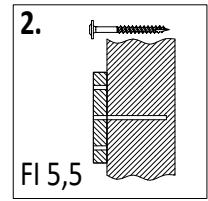
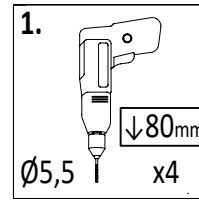
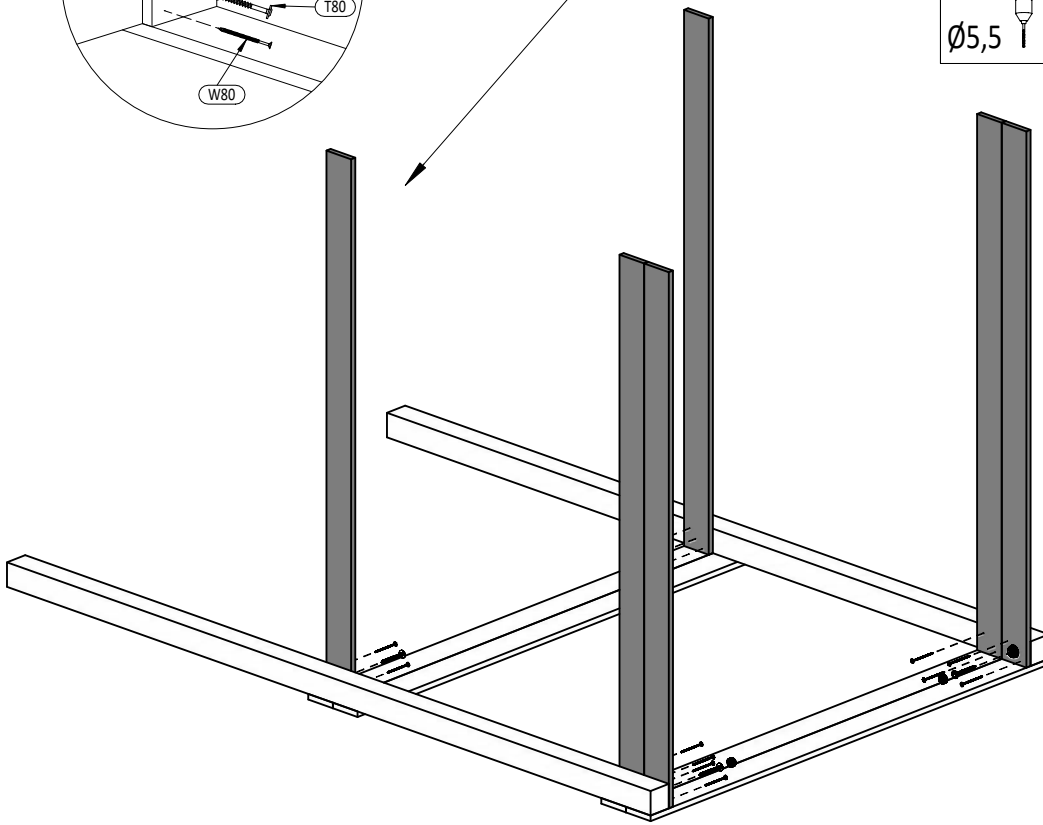


02

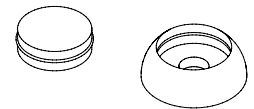
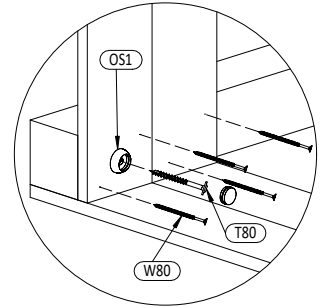




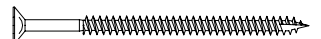
**19** 1,6x9,0x153cm  
x6



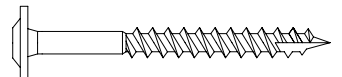
03



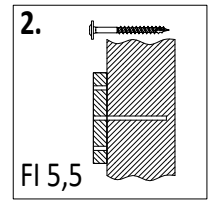
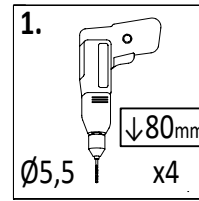
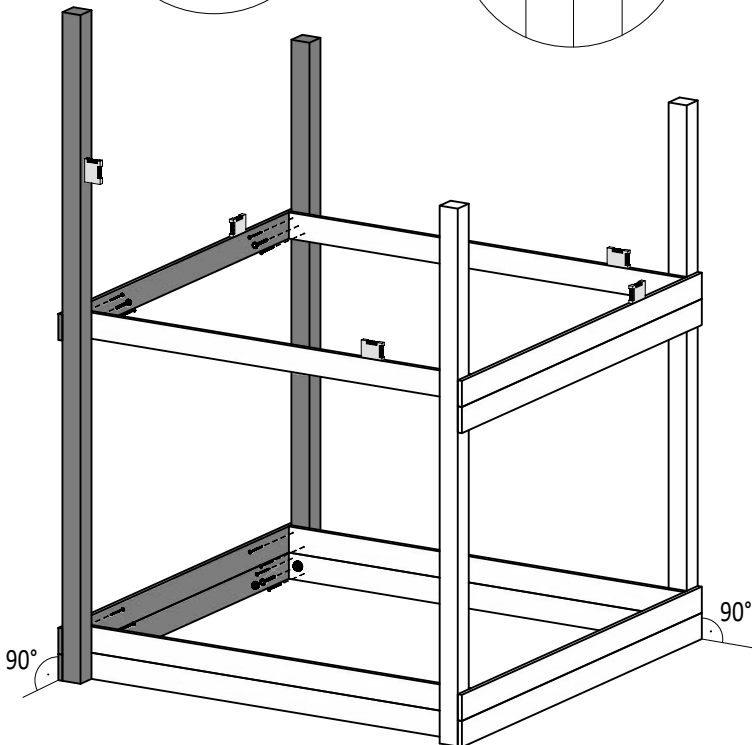
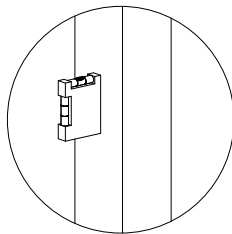
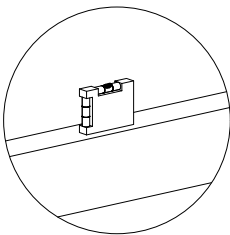
**OS1** x2



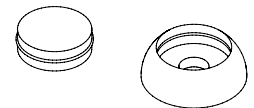
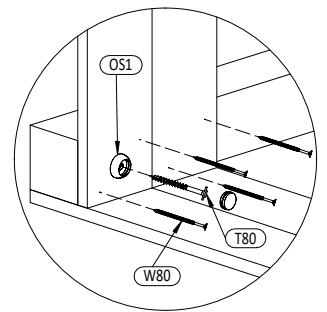
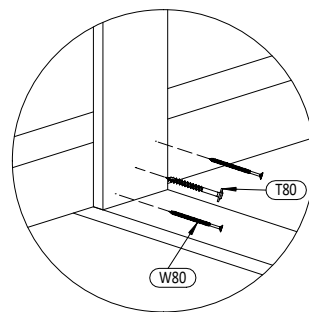
**W80** x12



**T80** x4



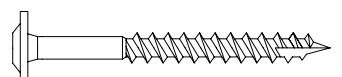
04



**OS1** x2



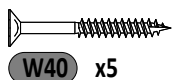
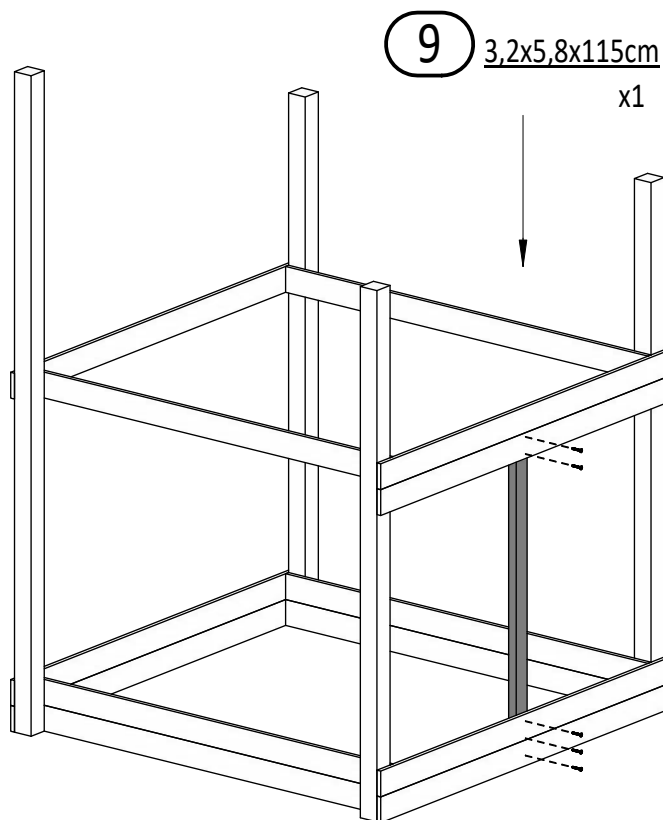
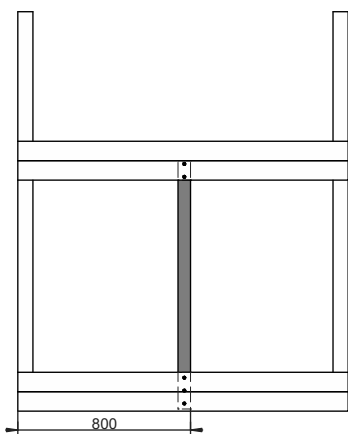
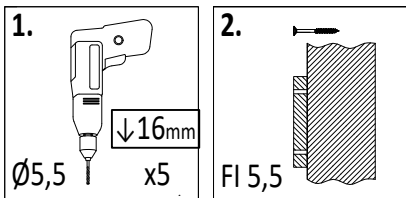
**W80** x12



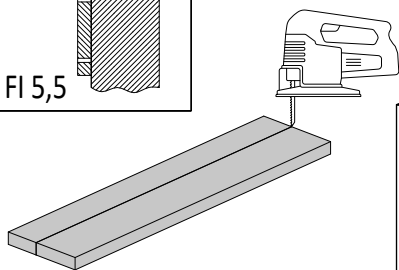
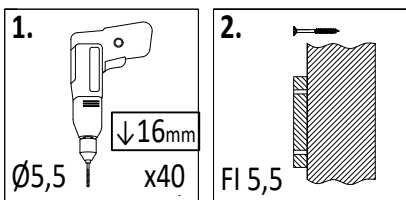
**T80** x4

9

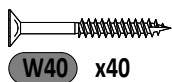
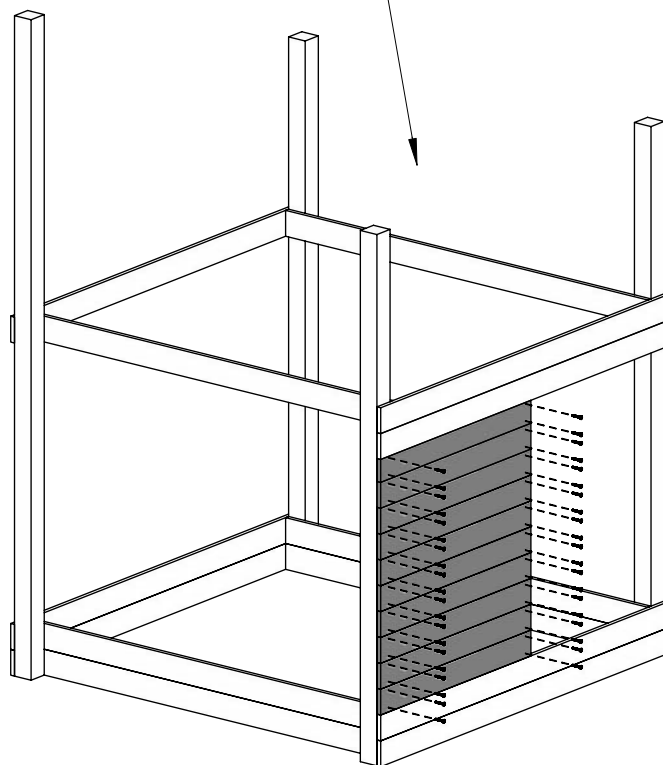
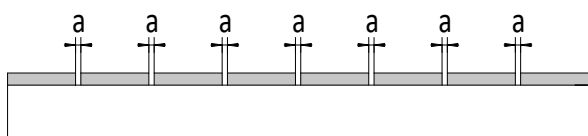
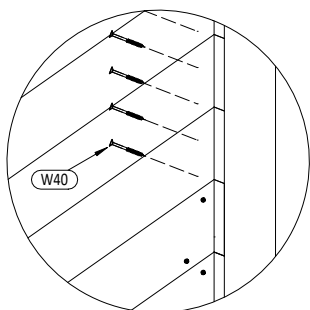
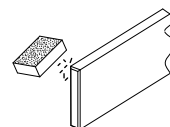
05



06

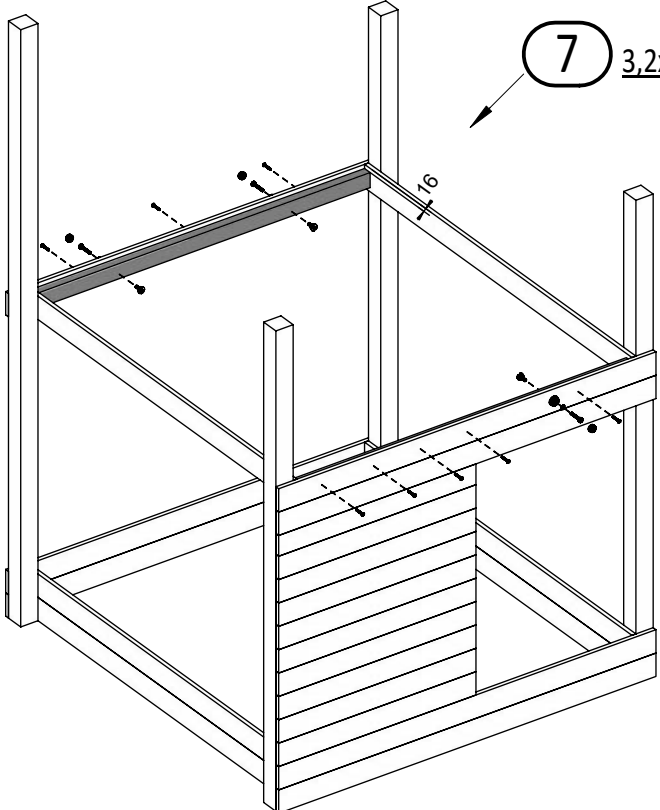
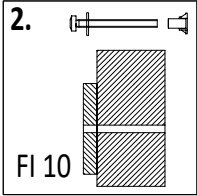
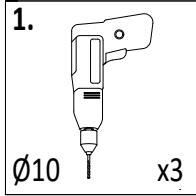


**23** 1,6x9,0x80cm  
x10

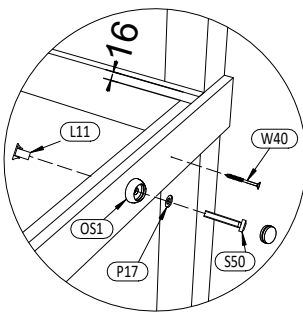




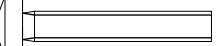

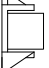
!!!min 2mm < a <!!!max 6mm

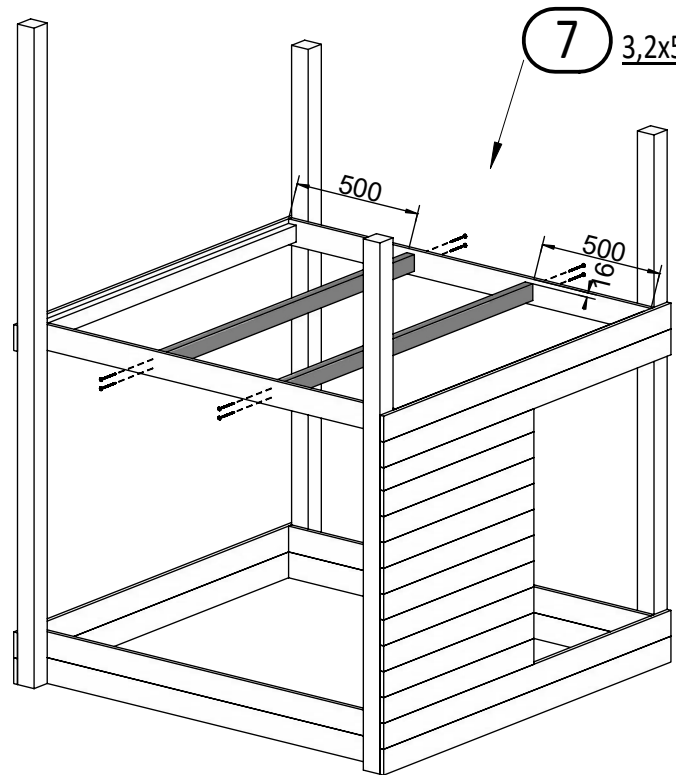
10



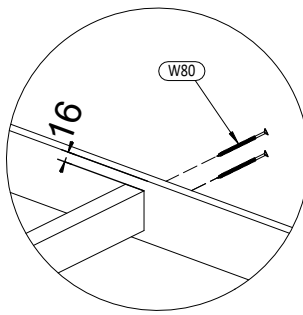
**7** 3,2x5,8x135,8cm  
x2




-  OS1 x3
-  W40 x8
-  S50 x3
-  P17 x3
-  L11 x3

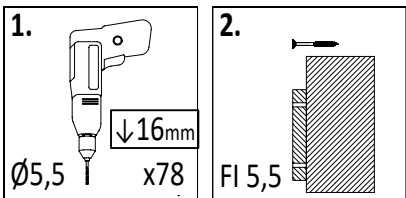


**7** 3,2x5,8x135,8cm  
x2

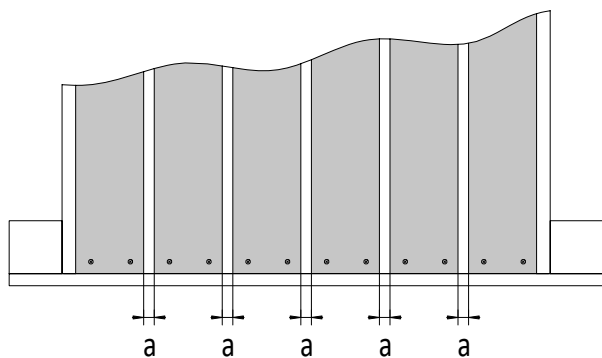


-  W80 x8

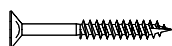
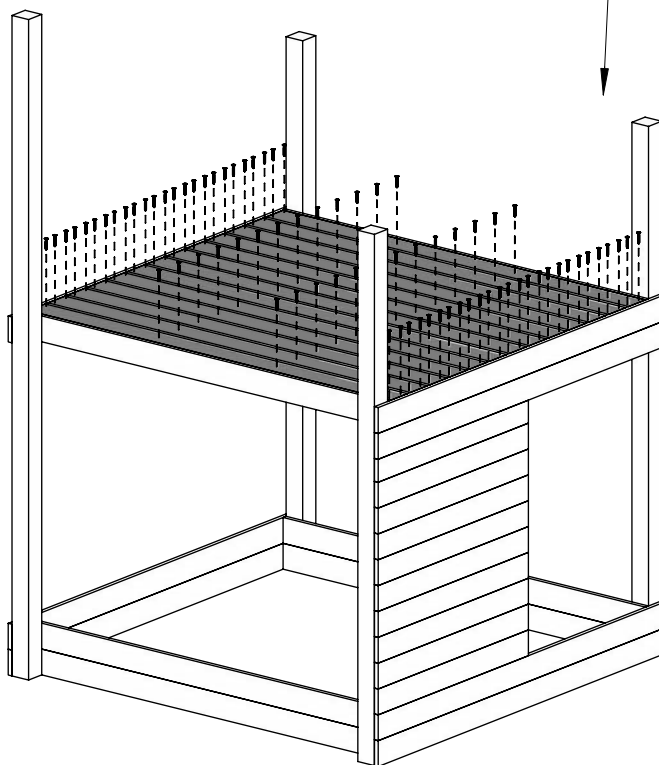
09



19 1,6x9,0x153cm x13

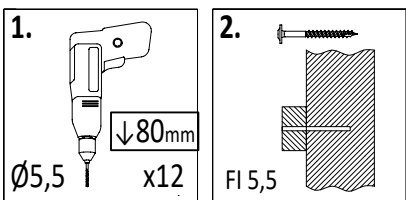


!!!min 13mm < a <!!!max 18mm

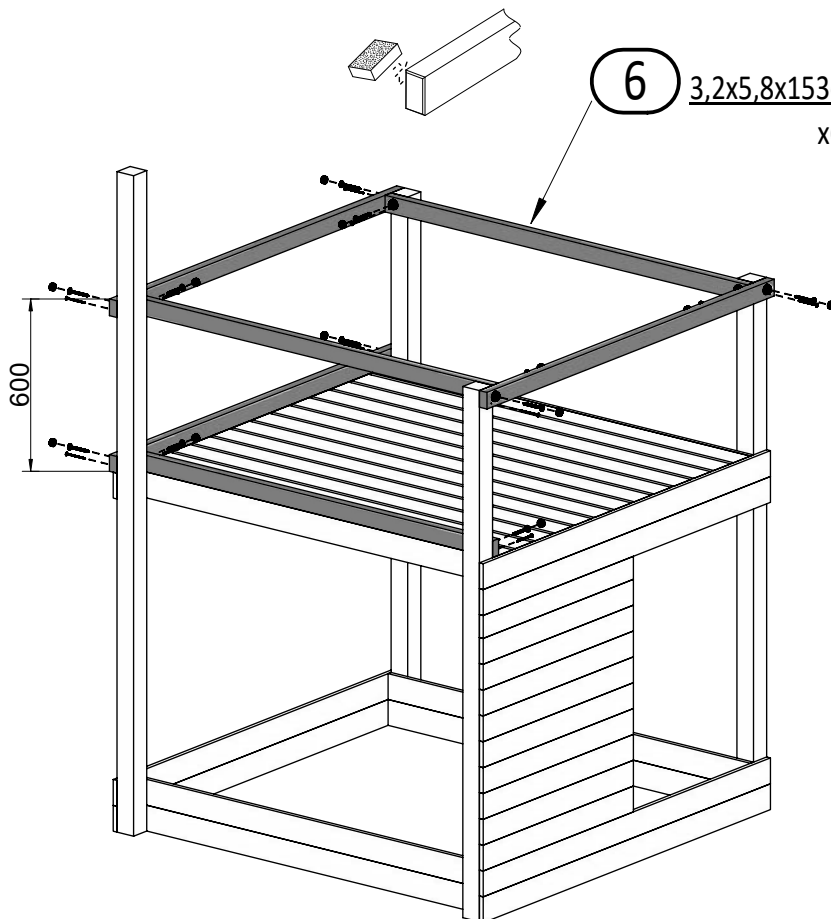
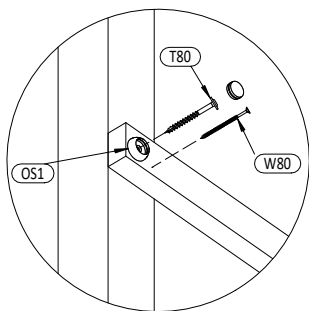


W40 x78

10



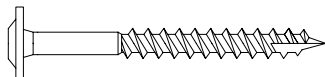
6 3,2x5,8x153cm x6



OS1 x12

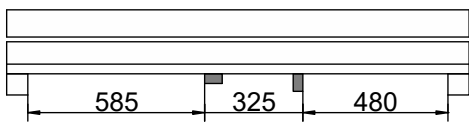


W80 x12



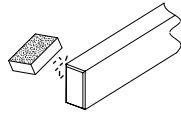
T80 x12

12



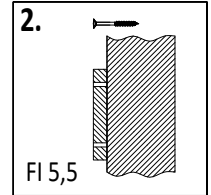
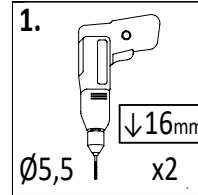
**17** 3,2x5,8x32cm

x1

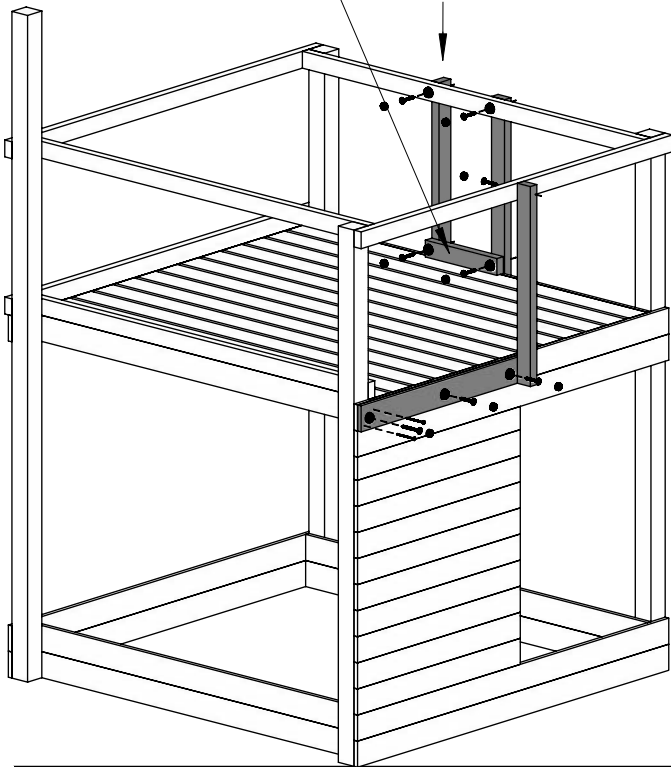


**11** 3,2x5,8x69cm

x3

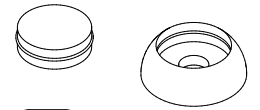
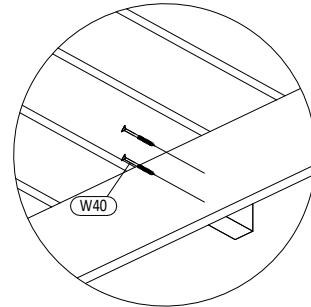
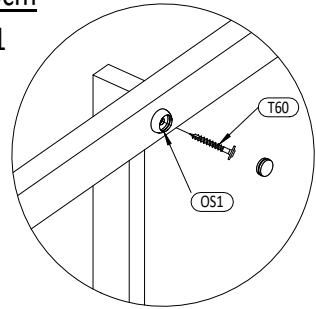
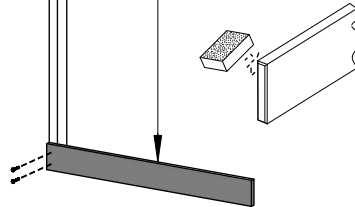


11

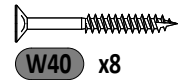


**23** 1,6x9,0x80cm

x1



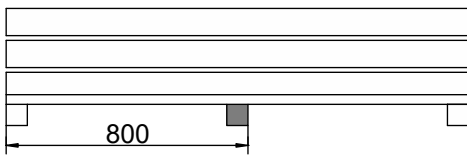
OS1 x8



W40 x8

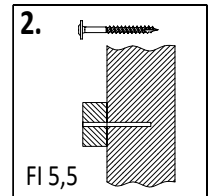
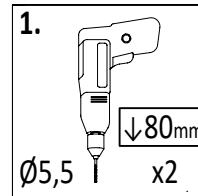


T60 x8

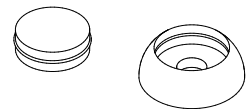
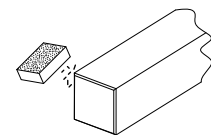
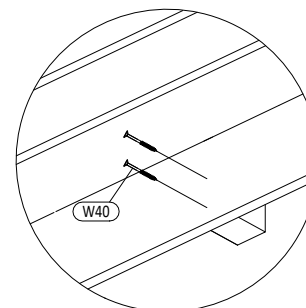
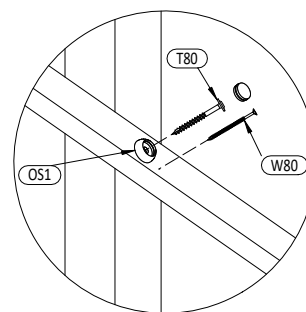
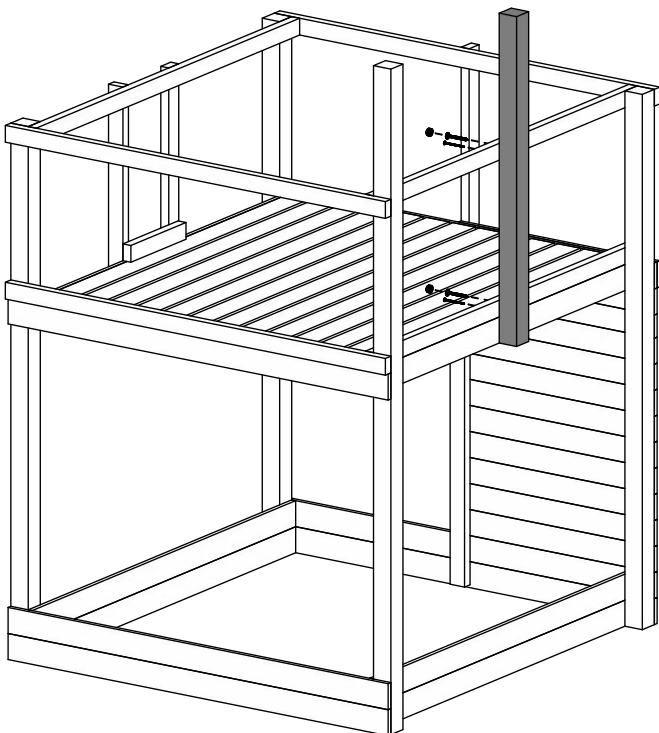


**3** 7,0x7,0x114cm

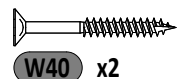
x1



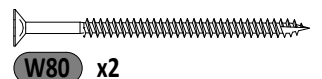
12



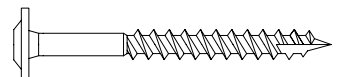
OS1 x2



W40 x2



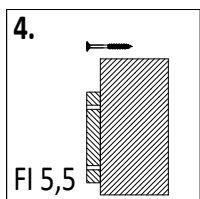
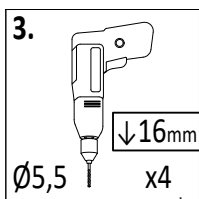
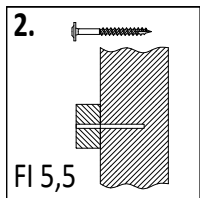
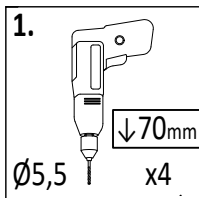
W80 x2



T80 x2

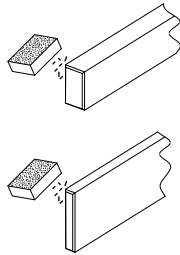
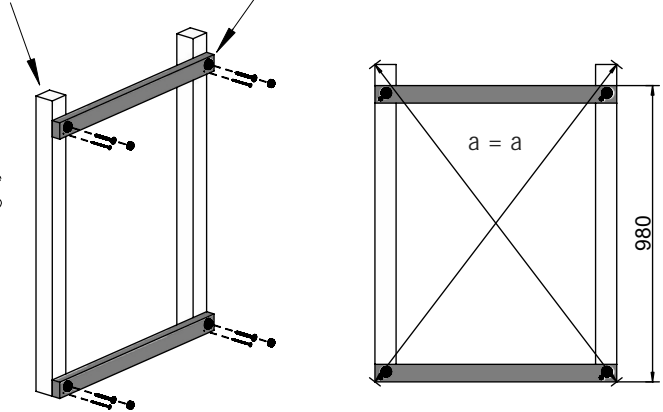
13

13

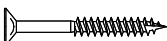


4 7,0x7,0x105cm  
x2

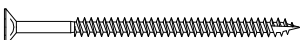
10 3,2x5,8x80cm  
x2



OS1 x4



W40 x4

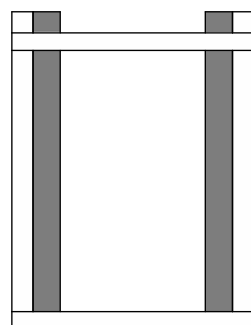
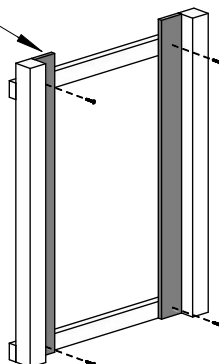
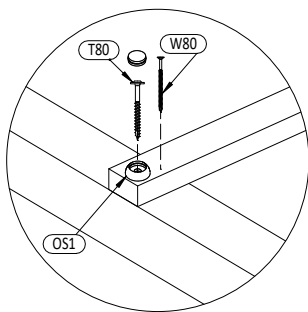


W80 x4

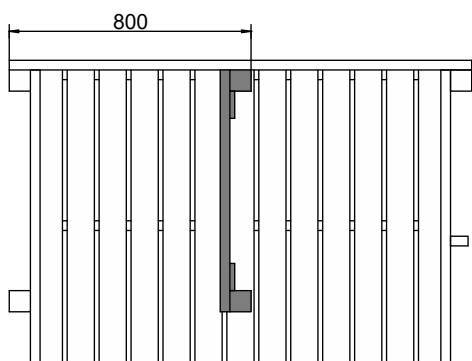
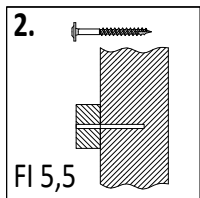
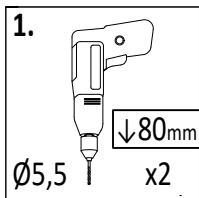


T80 x4

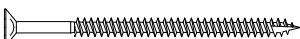
21 1,6x9,0x105cm  
x2



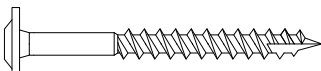
14



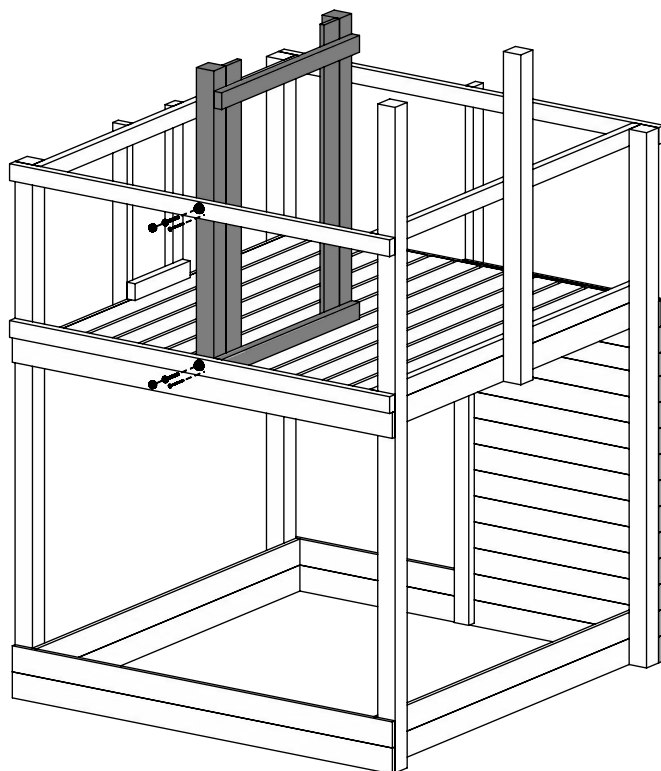
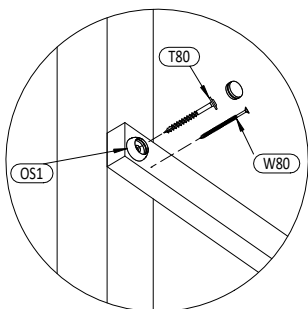
OS1 x2



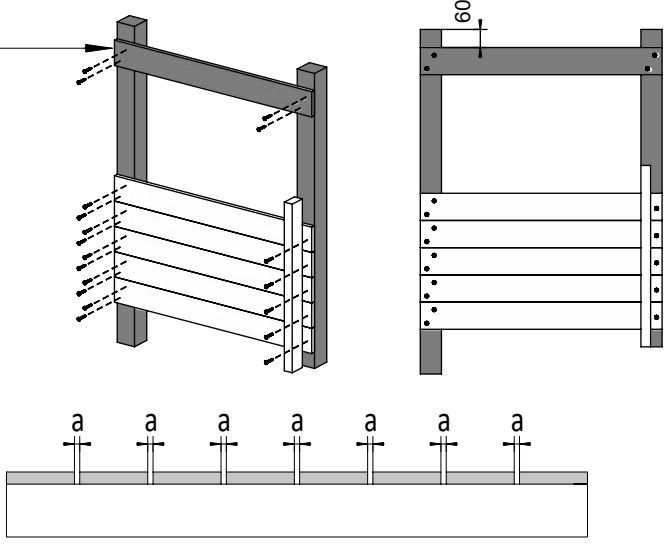
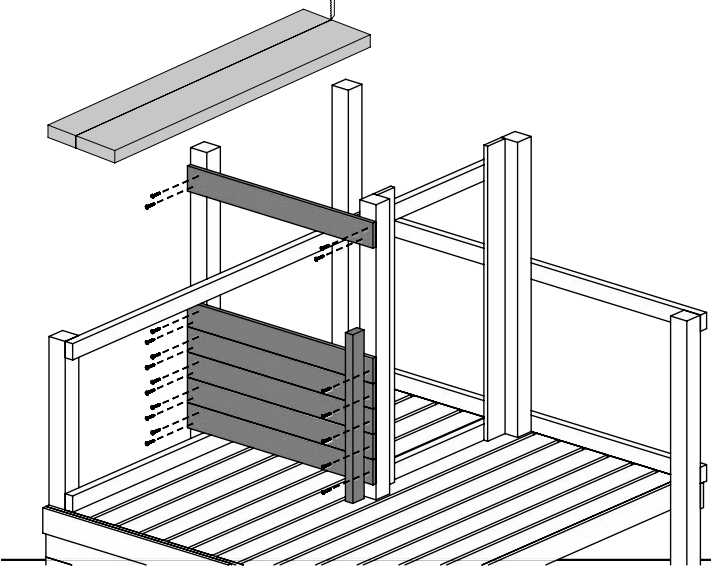
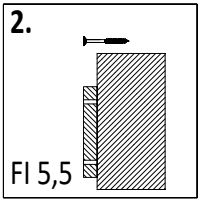
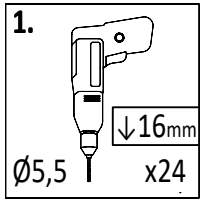
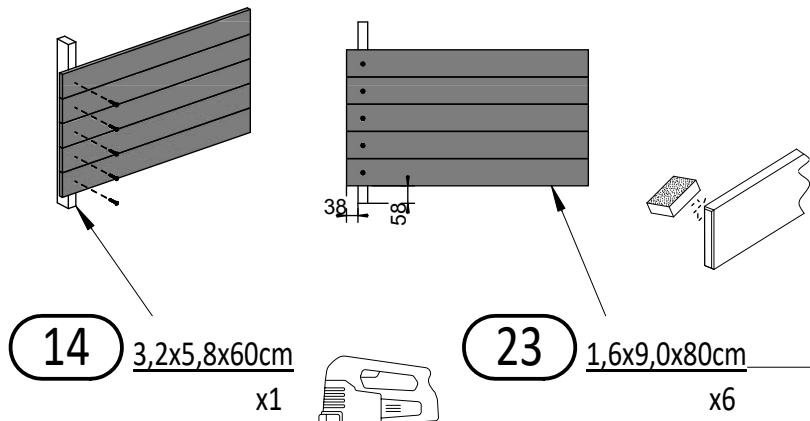
W80 x2



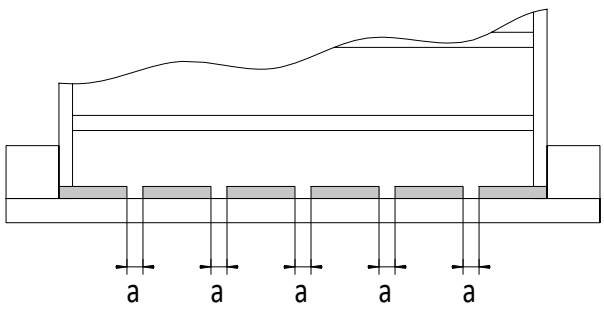
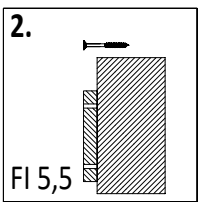
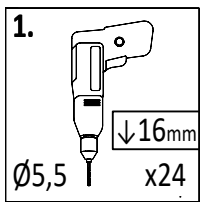
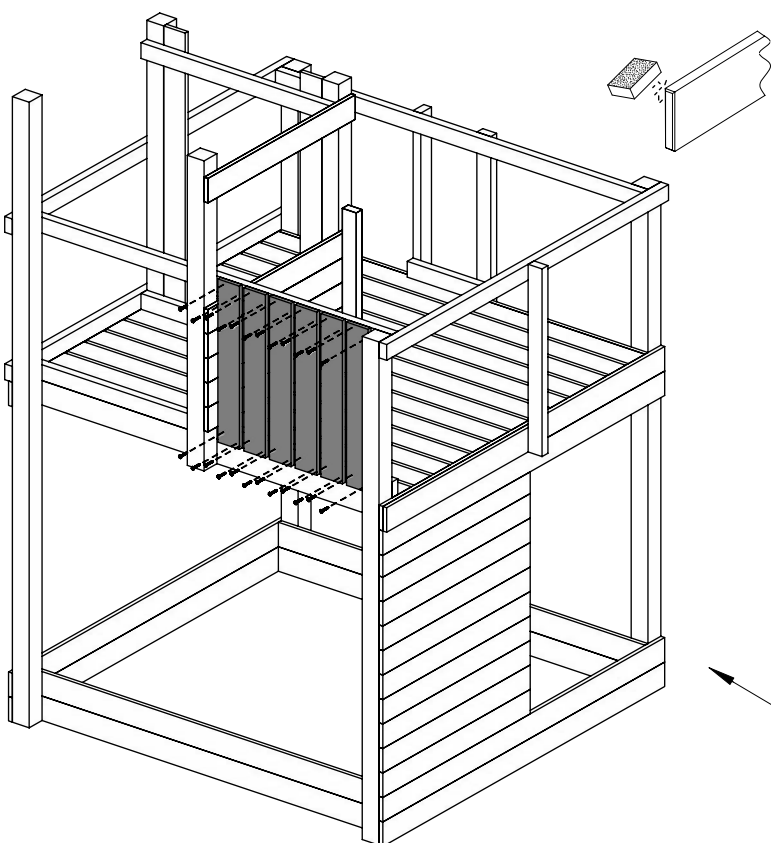
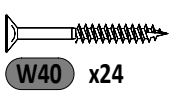
T80 x2



14

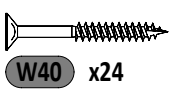


!!!min 2mm < a <!!!max 6mm



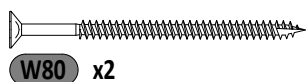
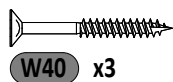
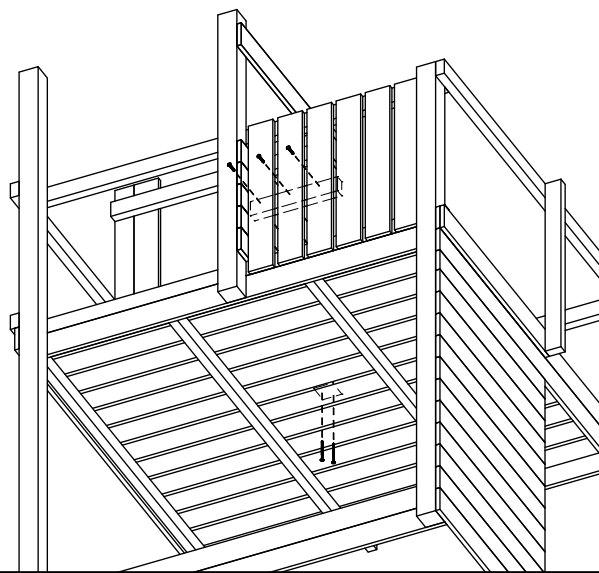
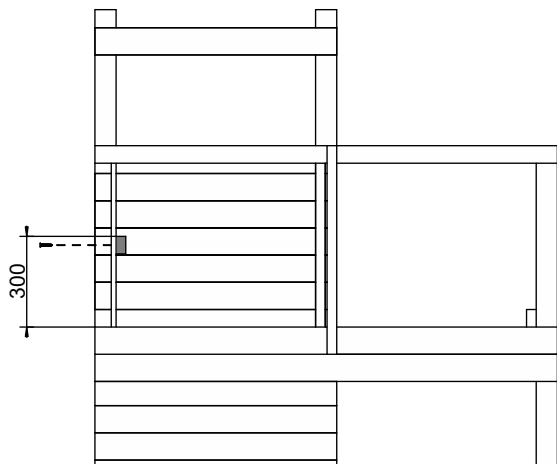
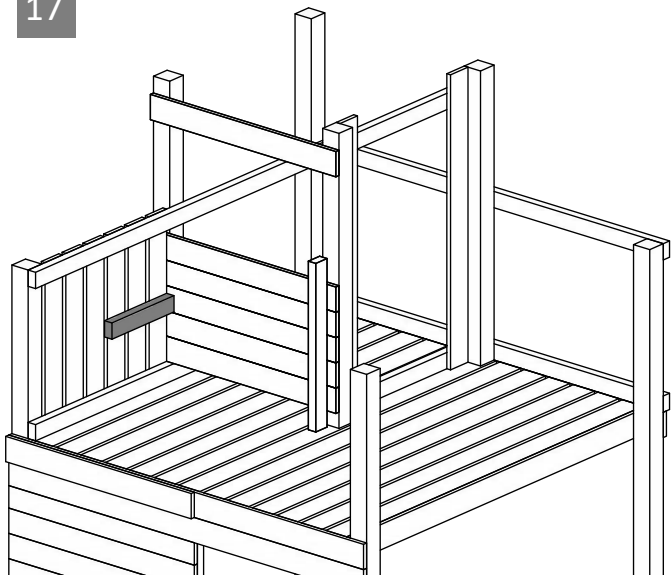
!!!min 13mm < a <!!!max 18mm

26 1,6x9,0x60cm x6

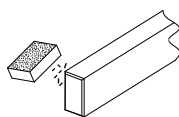




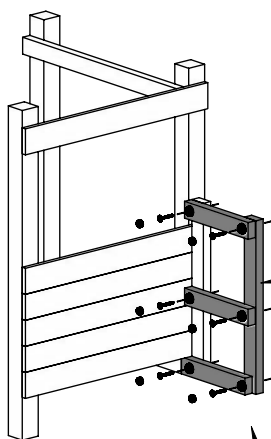
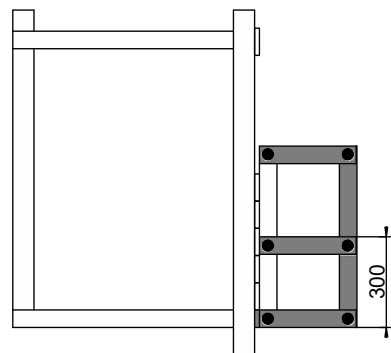
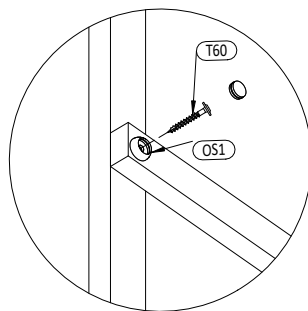
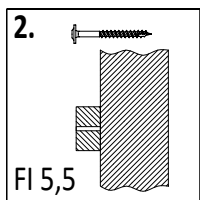
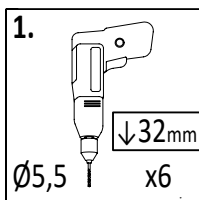
17



**17** 3,2x5,8x32cm  
x1



18

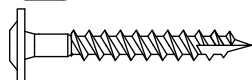


**14** 3,2x5,8x60cm  
x1

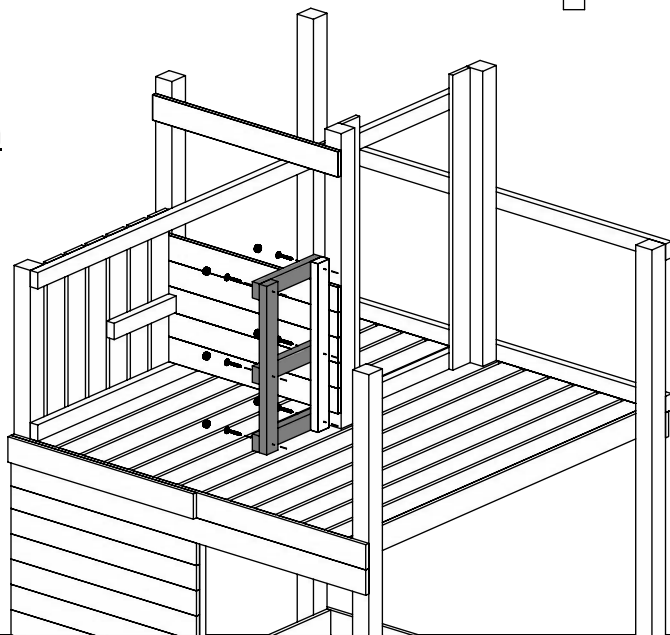
**17** 3,2x5,8x32cm  
x3



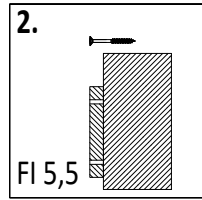
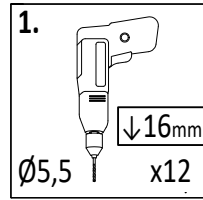
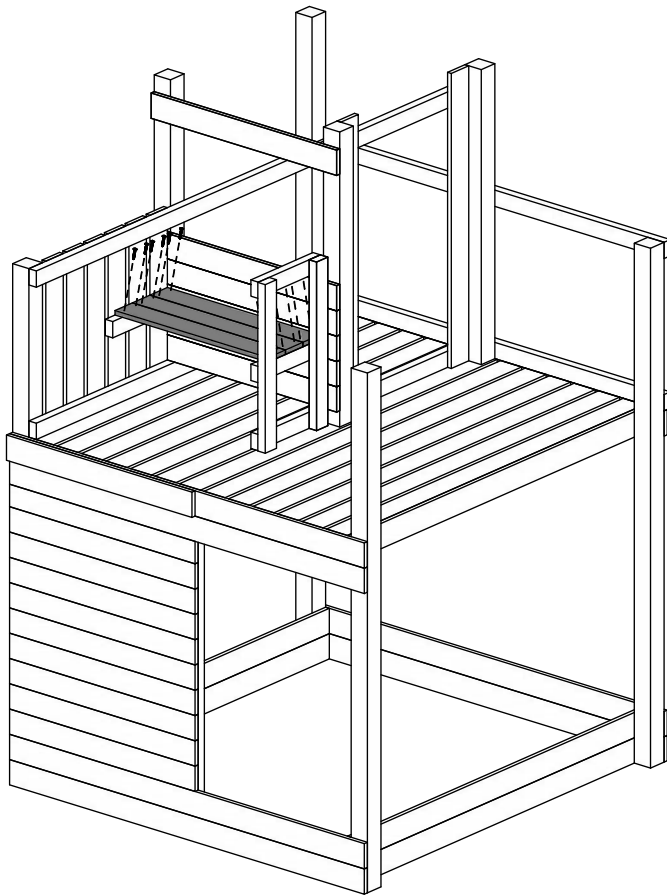
OS1 x6



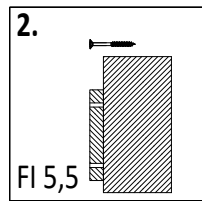
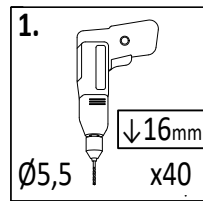
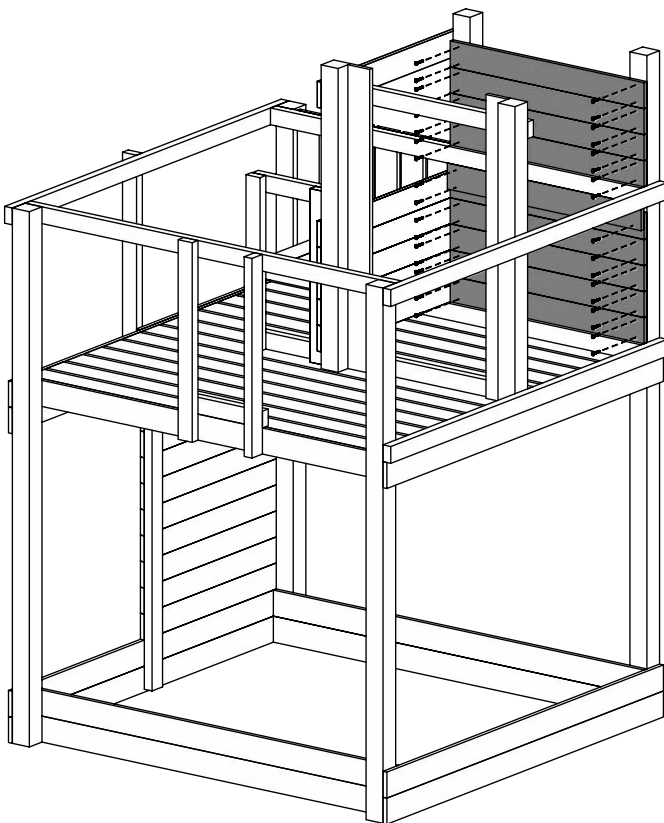
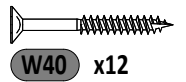
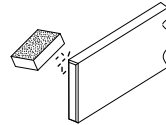
T60 x6



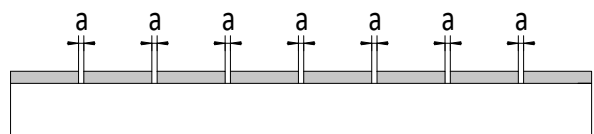
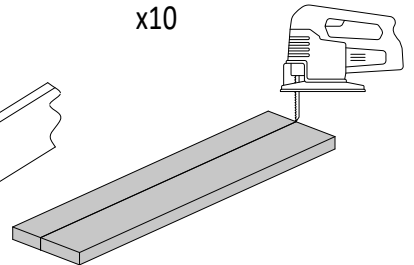
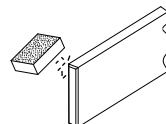
16



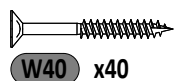
← **25** 1,6x9,0x66cm  
x3

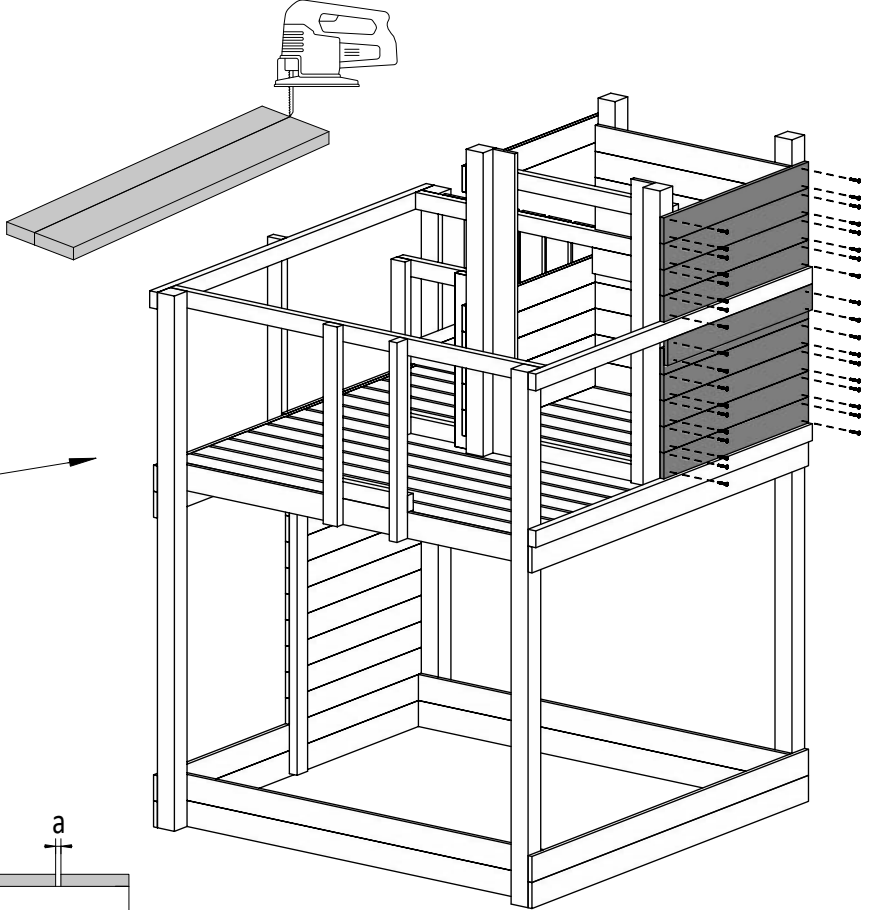
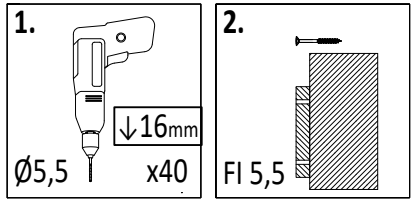


← **23** 1,6x9,0x80cm  
x10

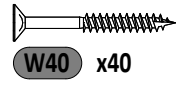
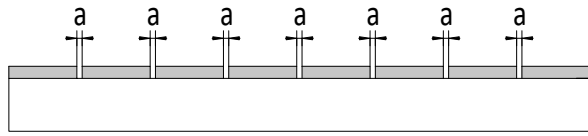
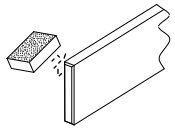


!!!min 2mm < a < !!!max 6mm

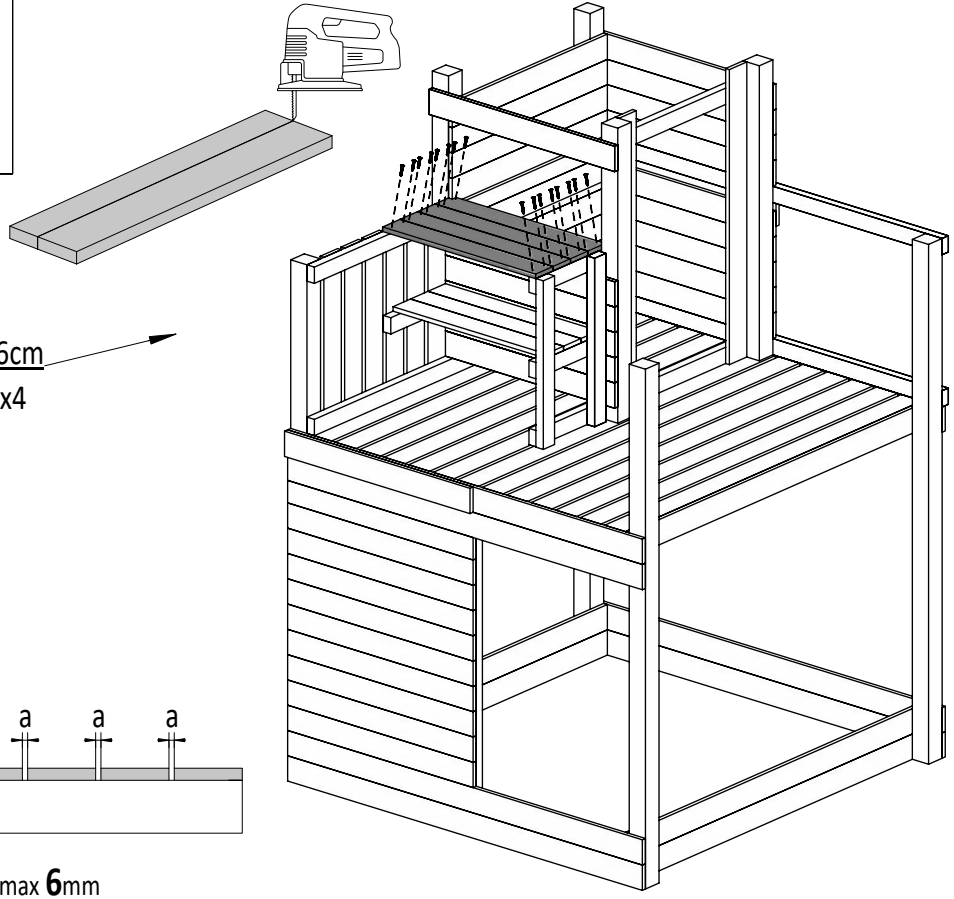
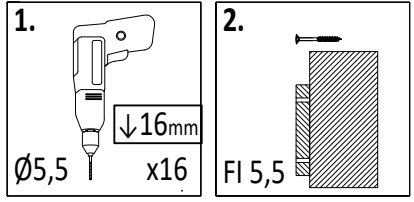




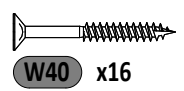
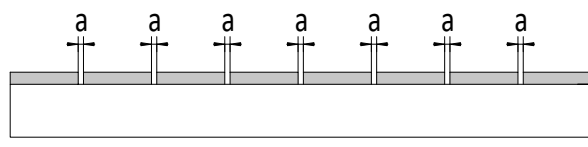
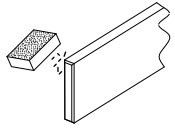
**23** 1,6x9,0x80cm  
x10



!!!min 2mm < a < !!!max 6mm



**25** 1,6x9,0x66cm  
x4

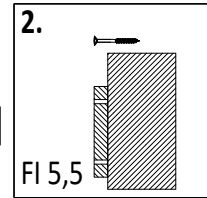
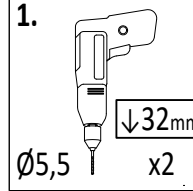
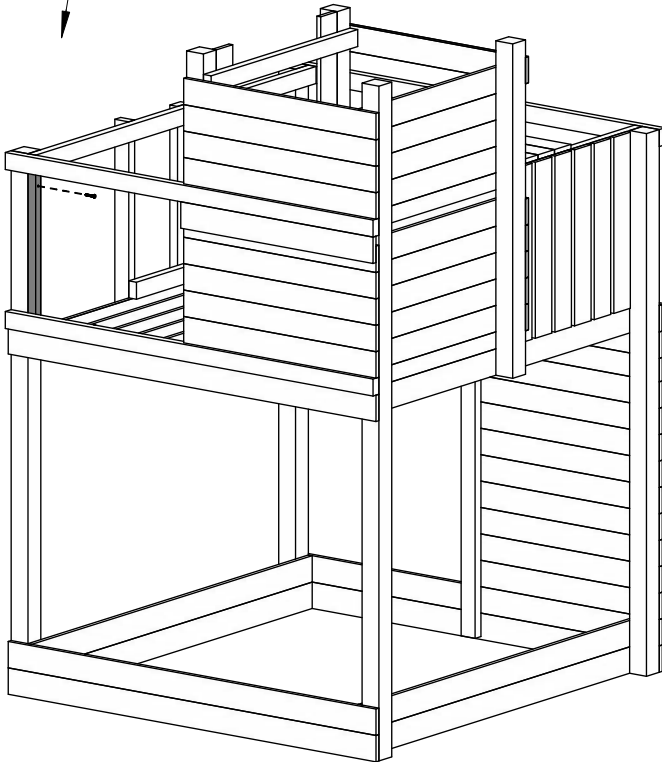


!!!min 2mm < a < !!!max 6mm

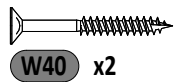
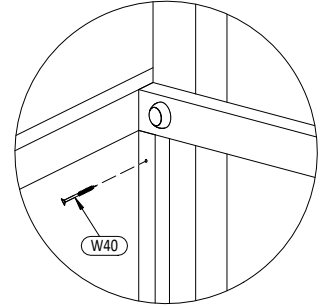
30a

2,7x3,2x54,2cm

x1



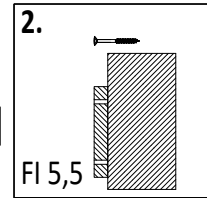
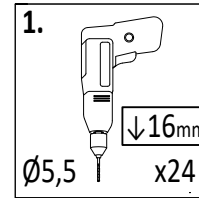
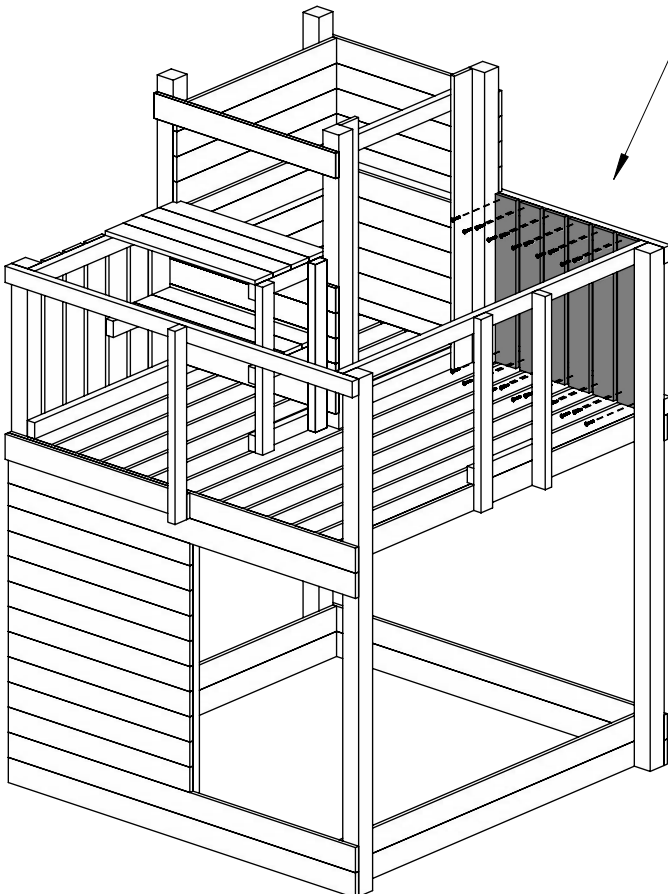
23



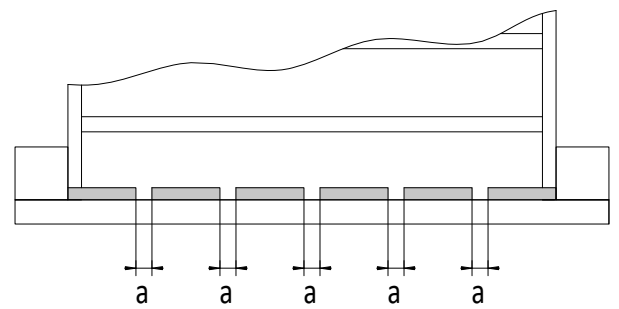
26

1,6x9,0x60cm

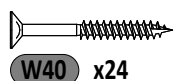
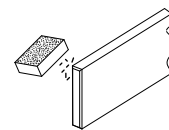
x6



24

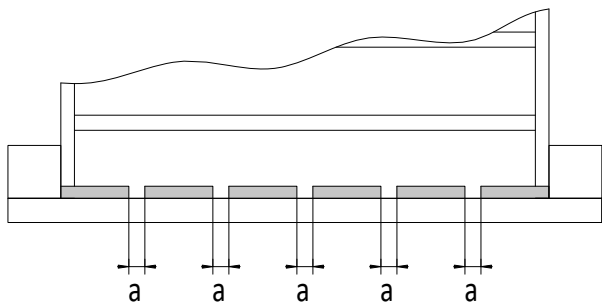
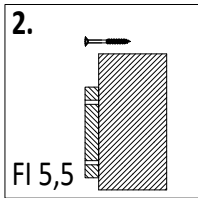
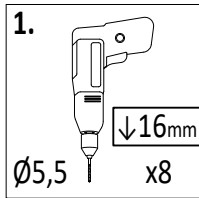


!!!min 13mm < a <!!!max 18mm

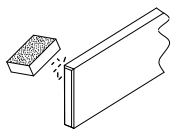


19

25



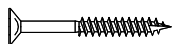
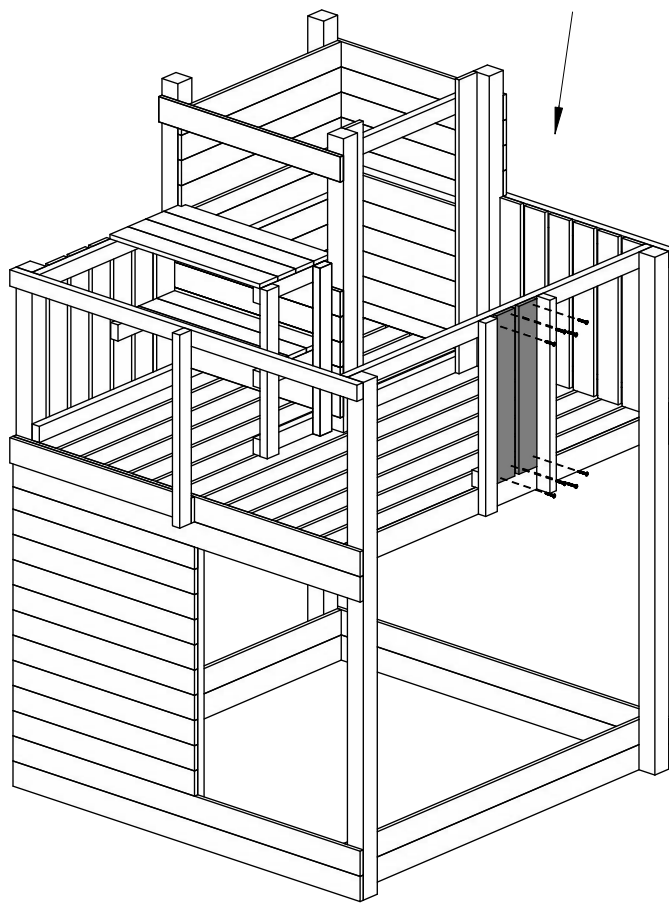
!!!min 13mm < a < !!!max 18mm



26

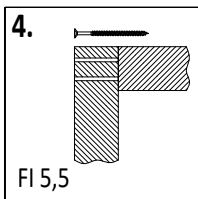
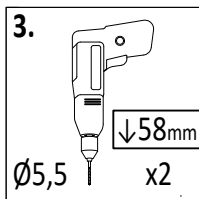
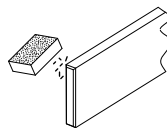
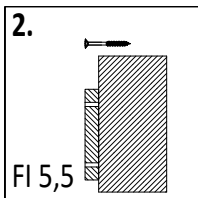
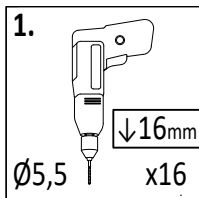
1,6x9,0x60cm

x2



W40 x8

26



x2

27a

1,6x9,0x56cm  
x1\*2 = 2

28a

1,6x9,0x38cm  
x1\*2 = 2

22a

1,6x9,0x86cm  
x1\*2 = 2

24a

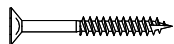
1,6x9,0x74cm  
x1\*2 = 2

15

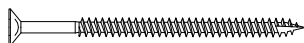
3,2x5,8x55cm  
x1\*2 = 2

13

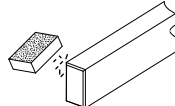
3,2x5,8x61cm  
x1\*2 = 2



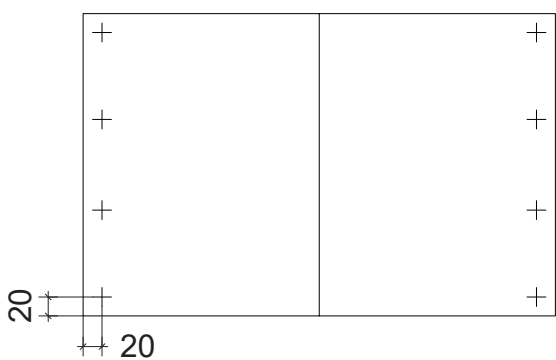
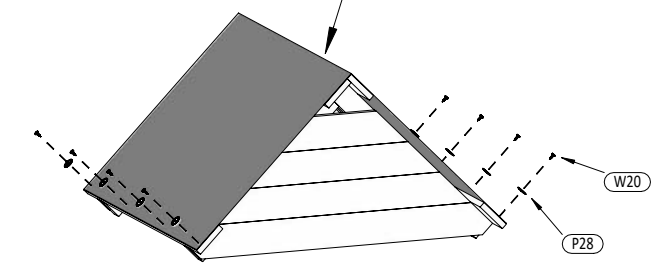
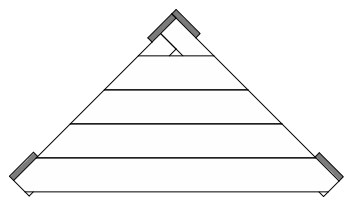
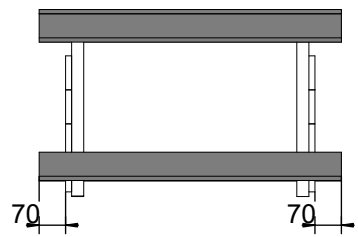
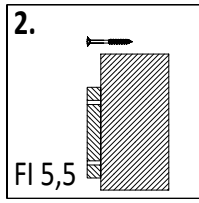
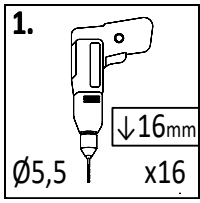
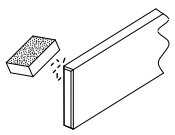
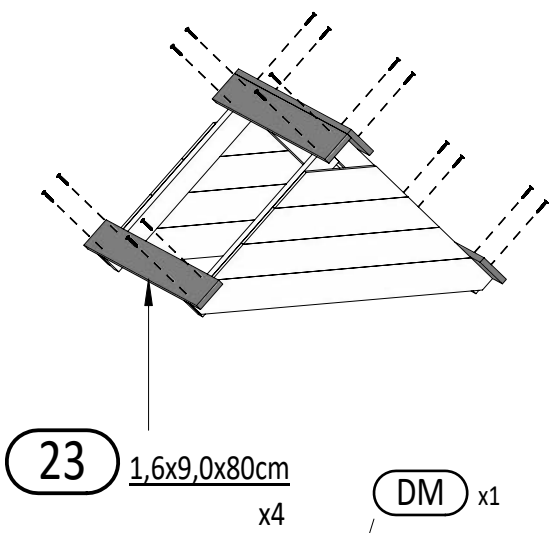
W40 x16\*2=32



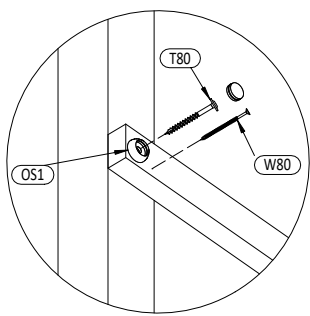
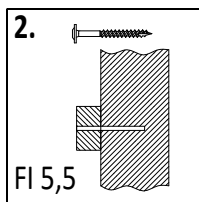
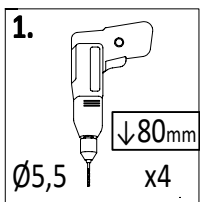
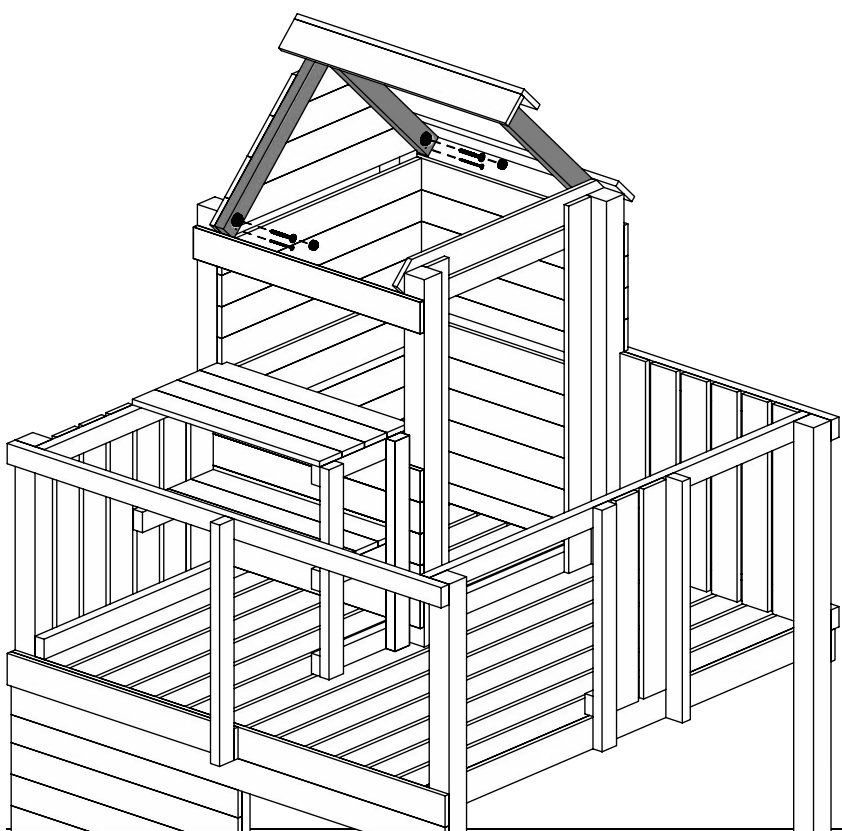
W80 x2\*2=4



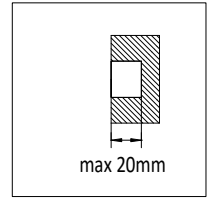
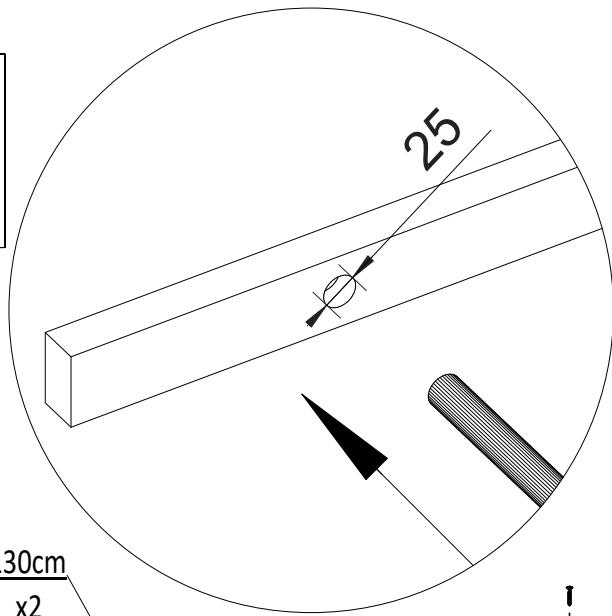
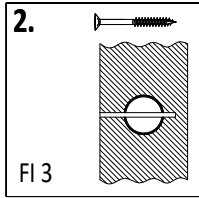
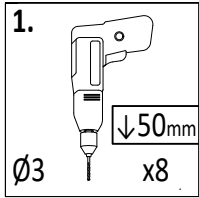
20



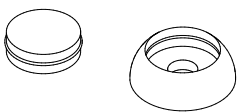
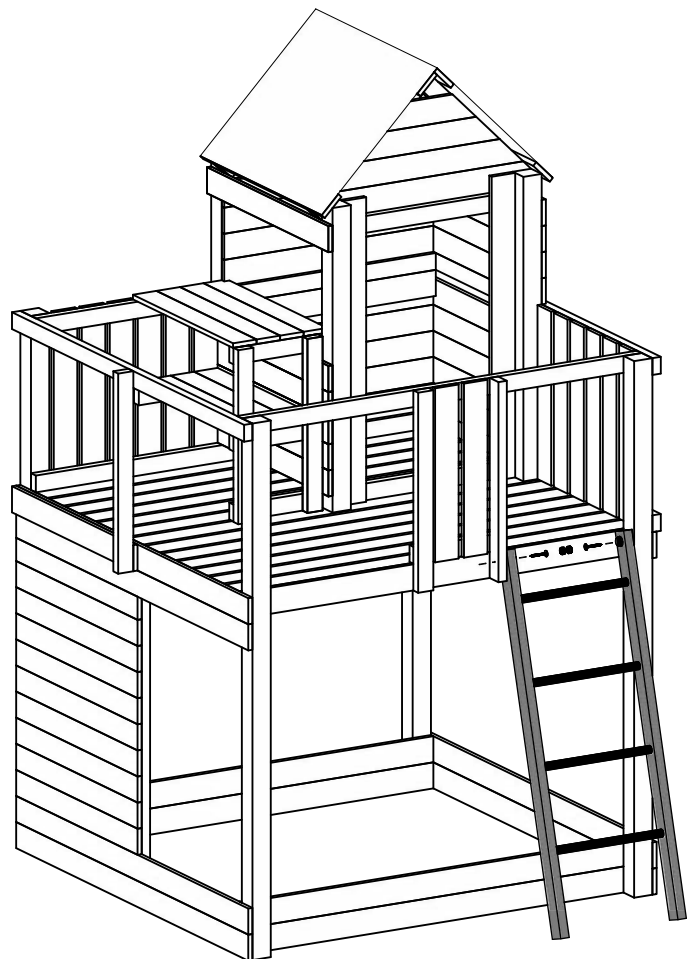
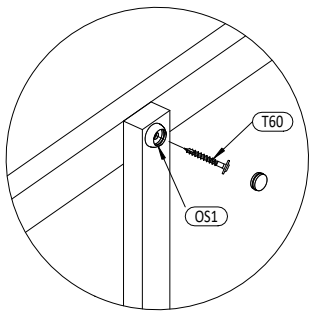
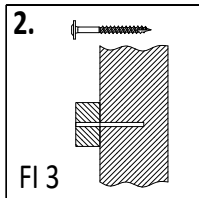
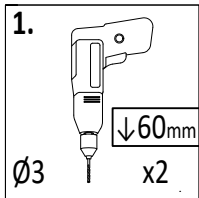
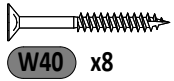
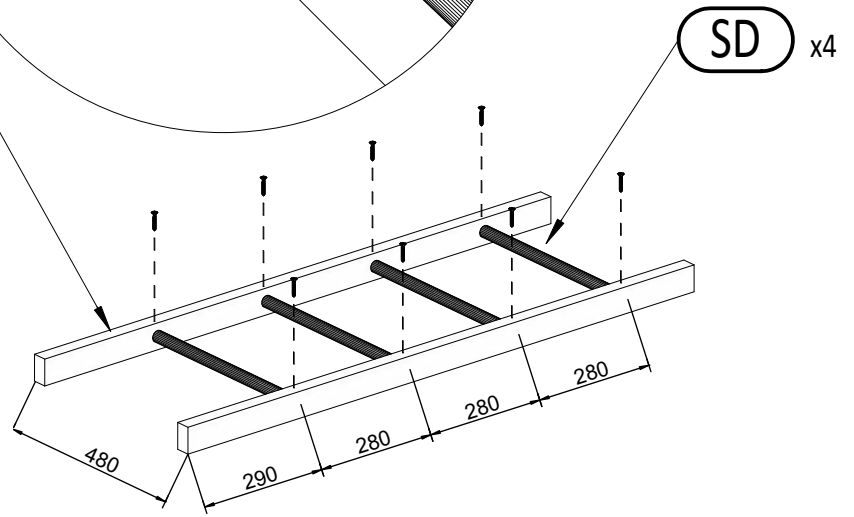
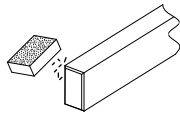
- P28 x8
- W20 x8
- W40 x16



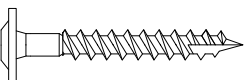
- OS1 x4
- W80 x4
- T80 x4



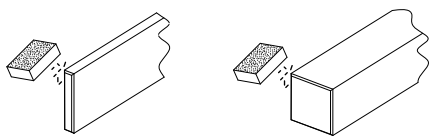
**8a** 3,2x5,8x130cm  
x2



OS1 x2

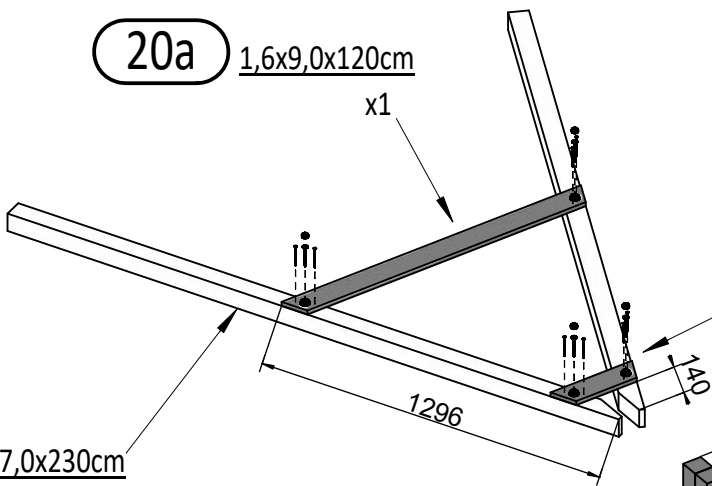
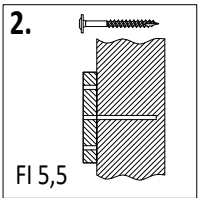
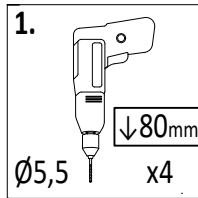


T60 x2



20a 1,6x9,0x120cm

x1



29a 1,6x9,0x32,5cm

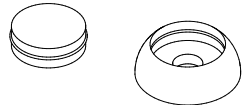
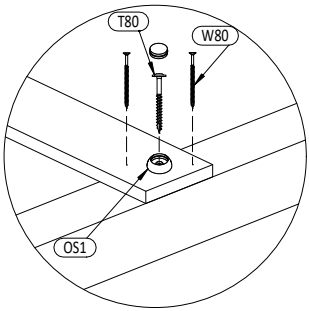
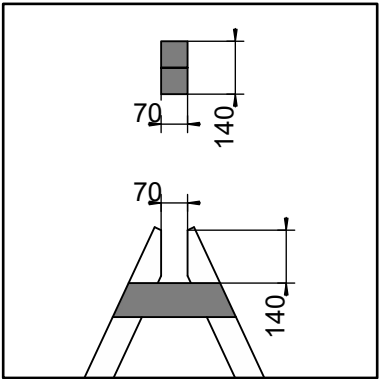
x1

1a 7,0x7,0x230cm

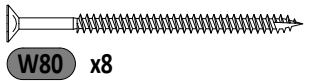
x2

1b 7,0x7,0x230cm

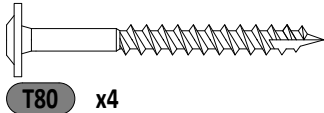
x2



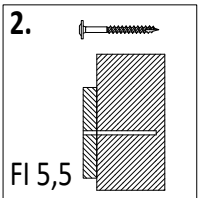
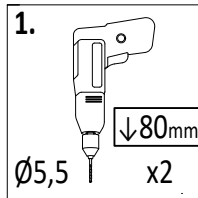
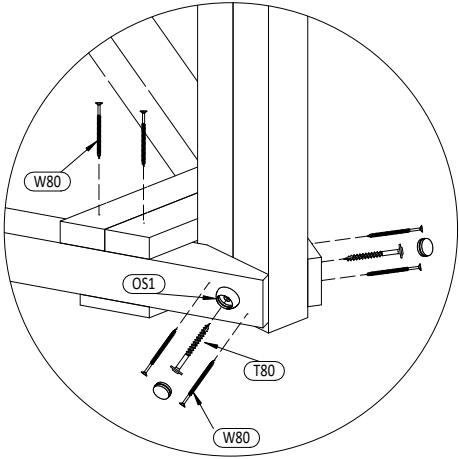
OS1 x4



W80 x8

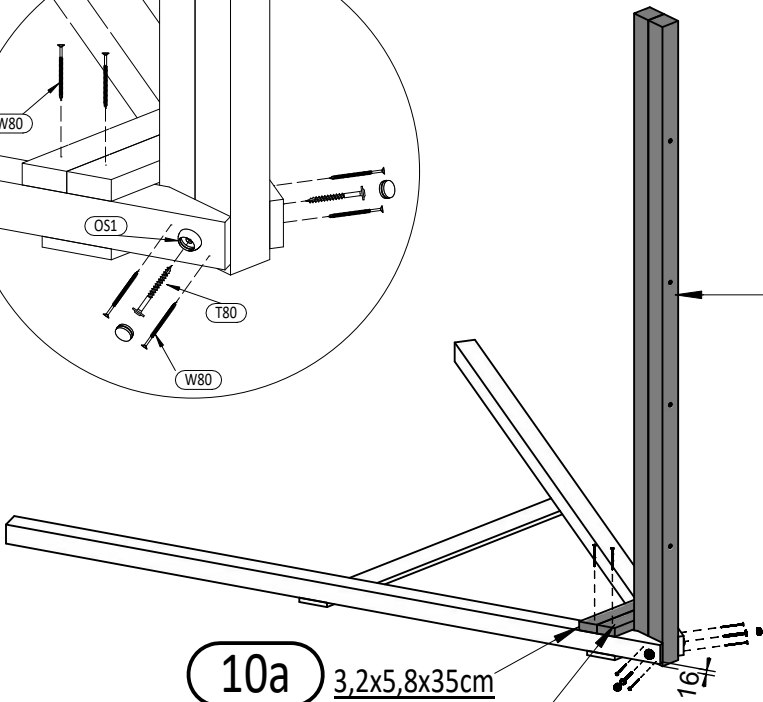


T80 x4



1b 7,0x7,0x230cm

x2

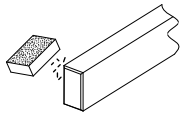


10a 3,2x5,8x35cm

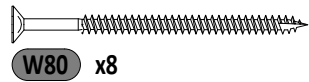
x1

11a 3,2x5,8x29,6cm

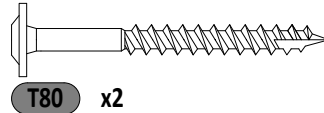
x1



OS1 x2

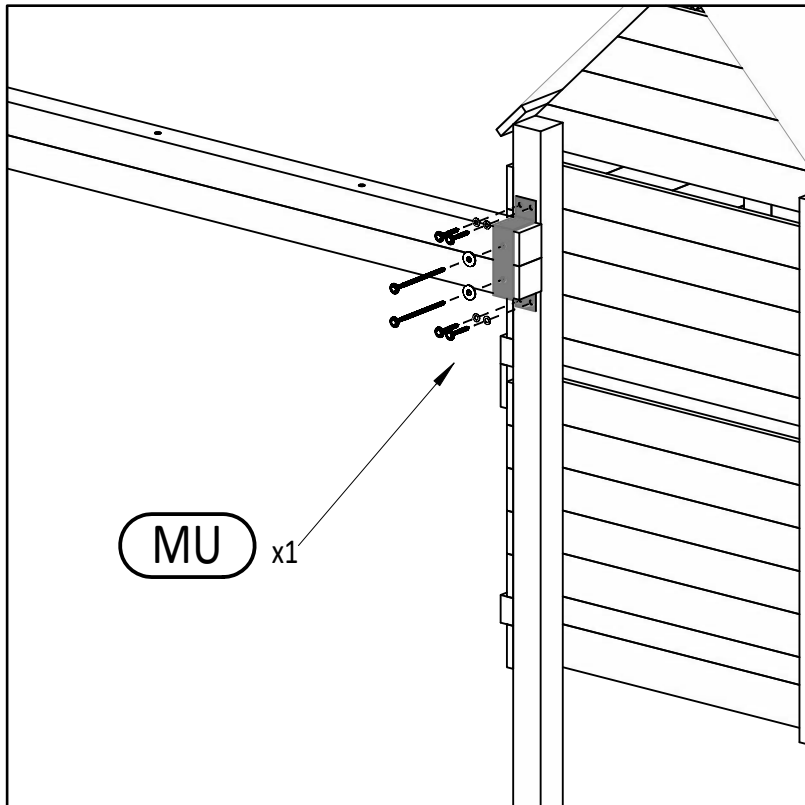
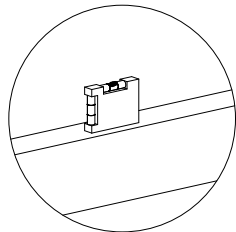
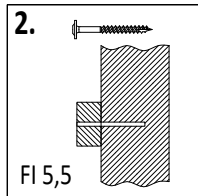
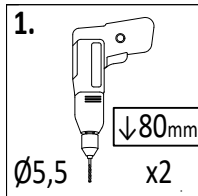


W80 x8



T80 x2

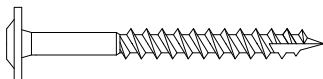




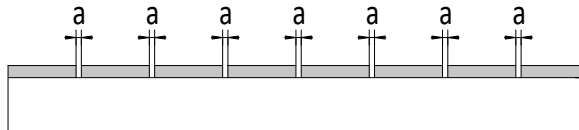
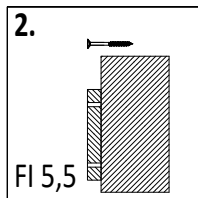
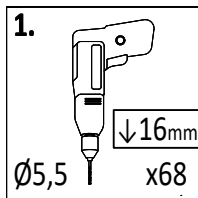
P17 x6



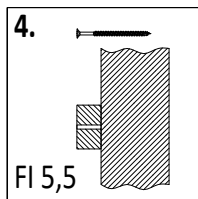
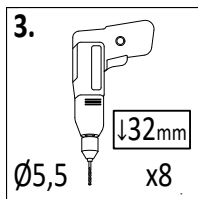
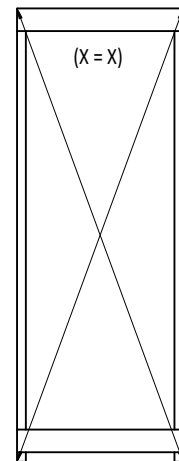
T60 x4



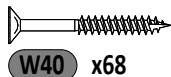
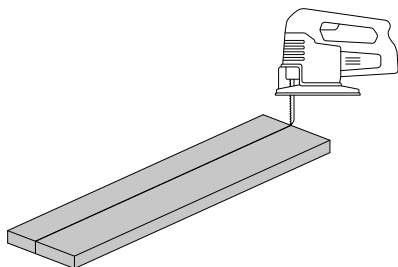
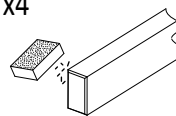
T80 x2



!!!min 2mm < a < !!!max 6mm



12 3,2x5,8x66cm  
x4

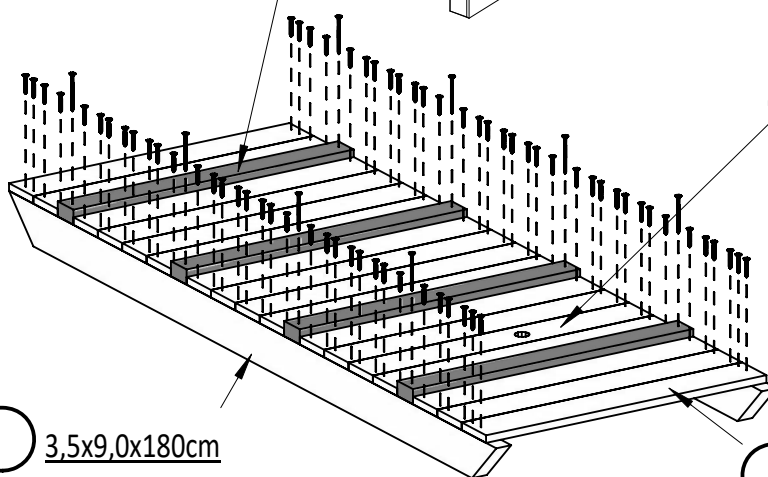


W40 x68

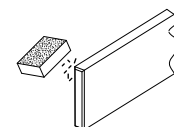


W80 x8

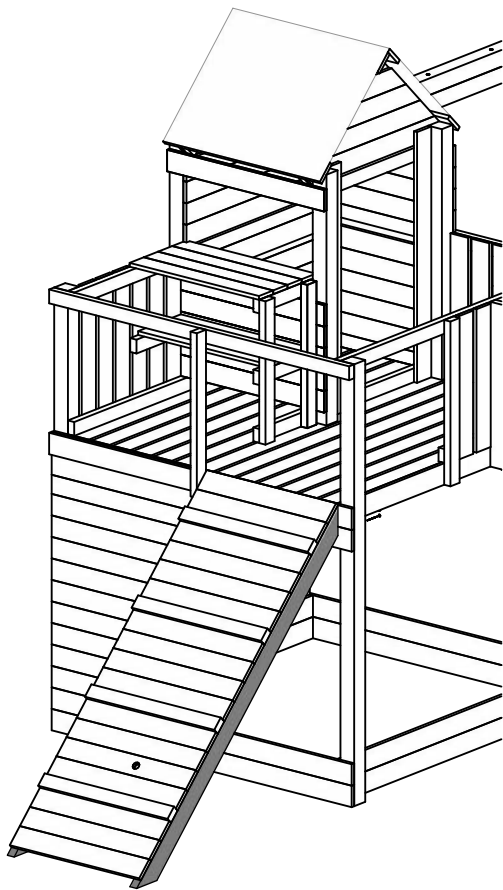
5a 3,5x9,0x180cm  
x2



25a 1,6x9,0x66cm  
x1

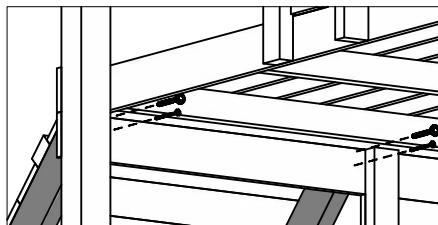
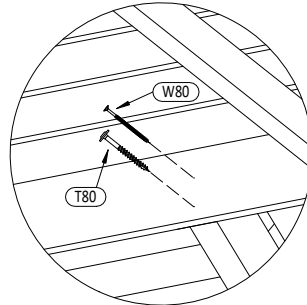


25 1,6x9,0x66cm  
x16

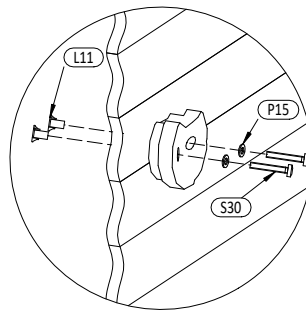
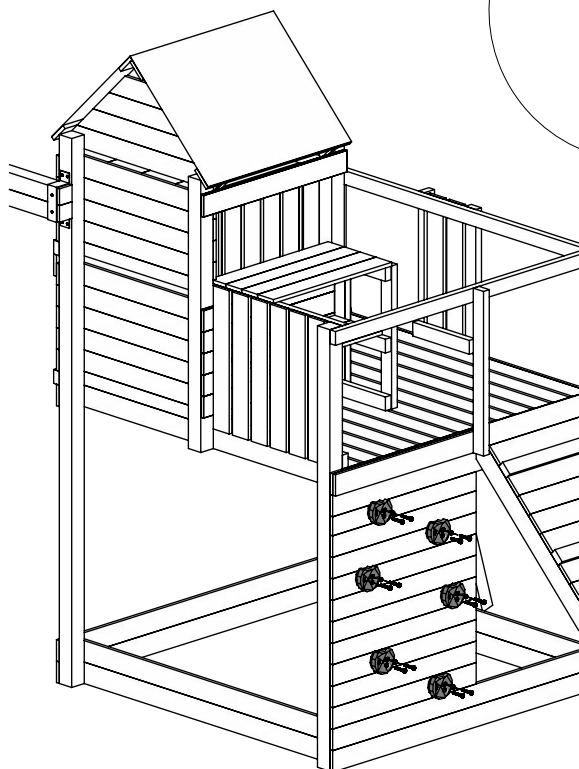


1.  $\downarrow 80\text{mm}$   
 $\varnothing 5,5$  x2

2. FI 5,5

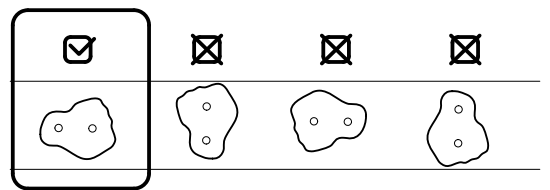


- W80 x2
- T80 x2



1.  $\varnothing 10$  x12

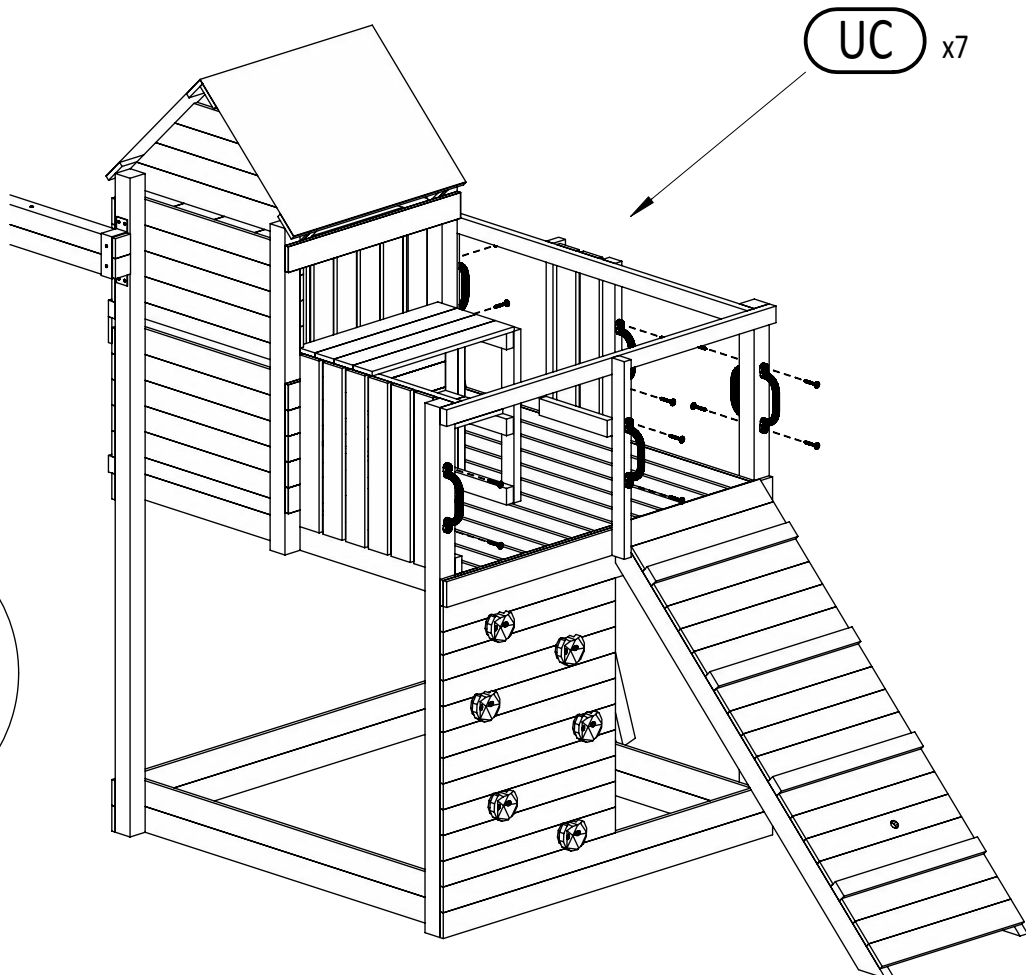
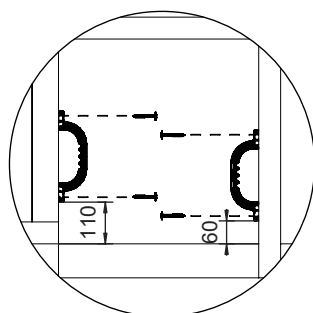
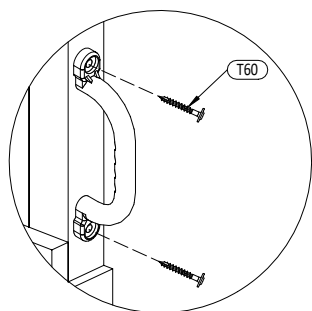
2. FI 10



SW x6

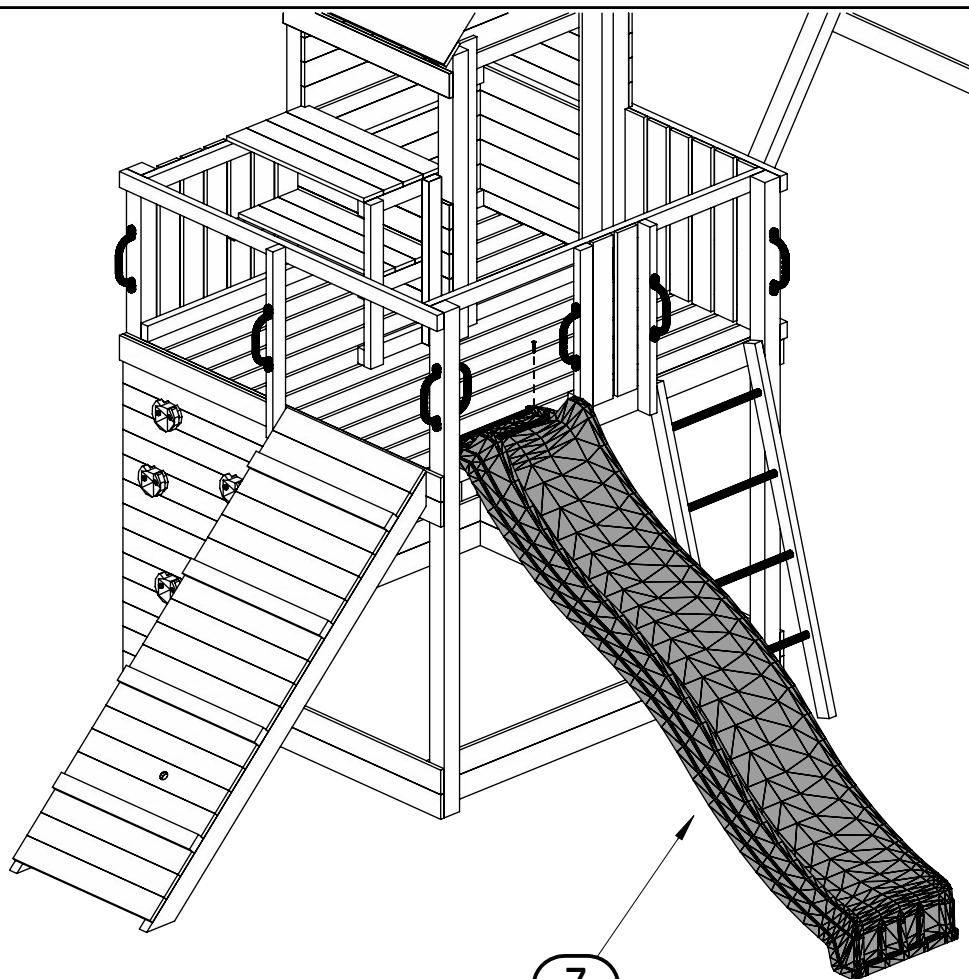
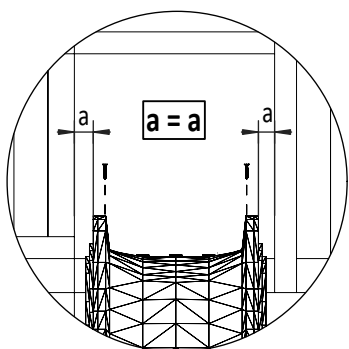
- S30 x12
- P15 x12
- L11 x12

37



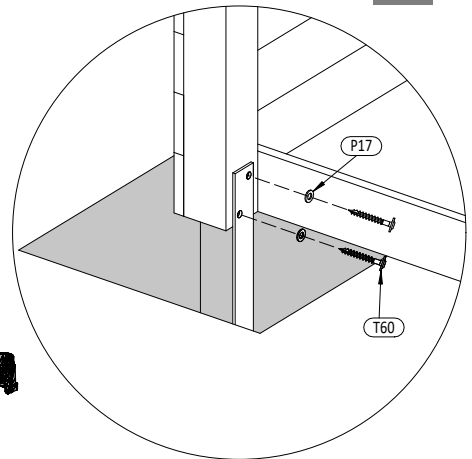
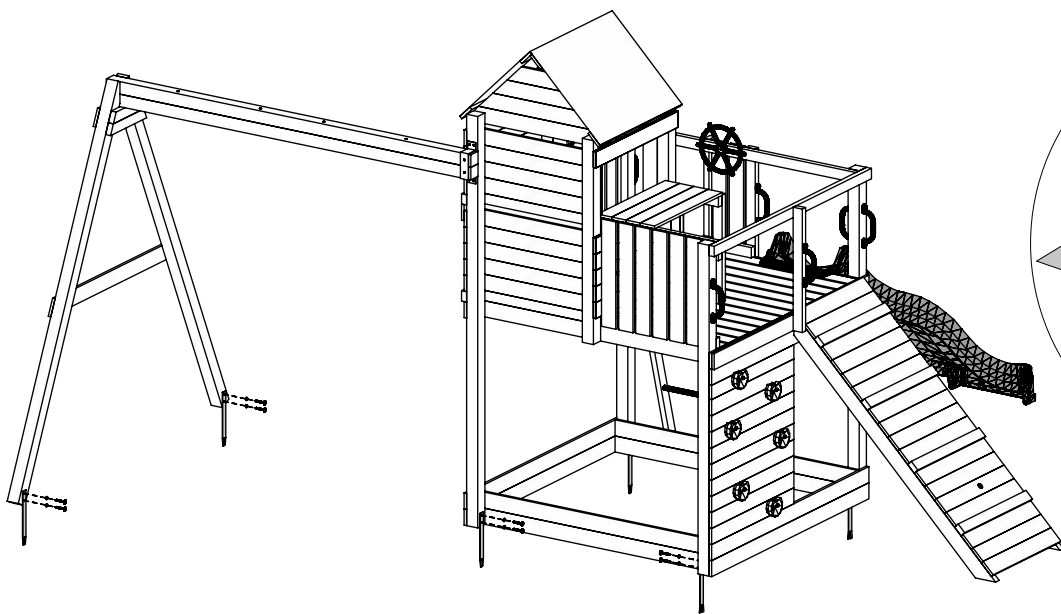
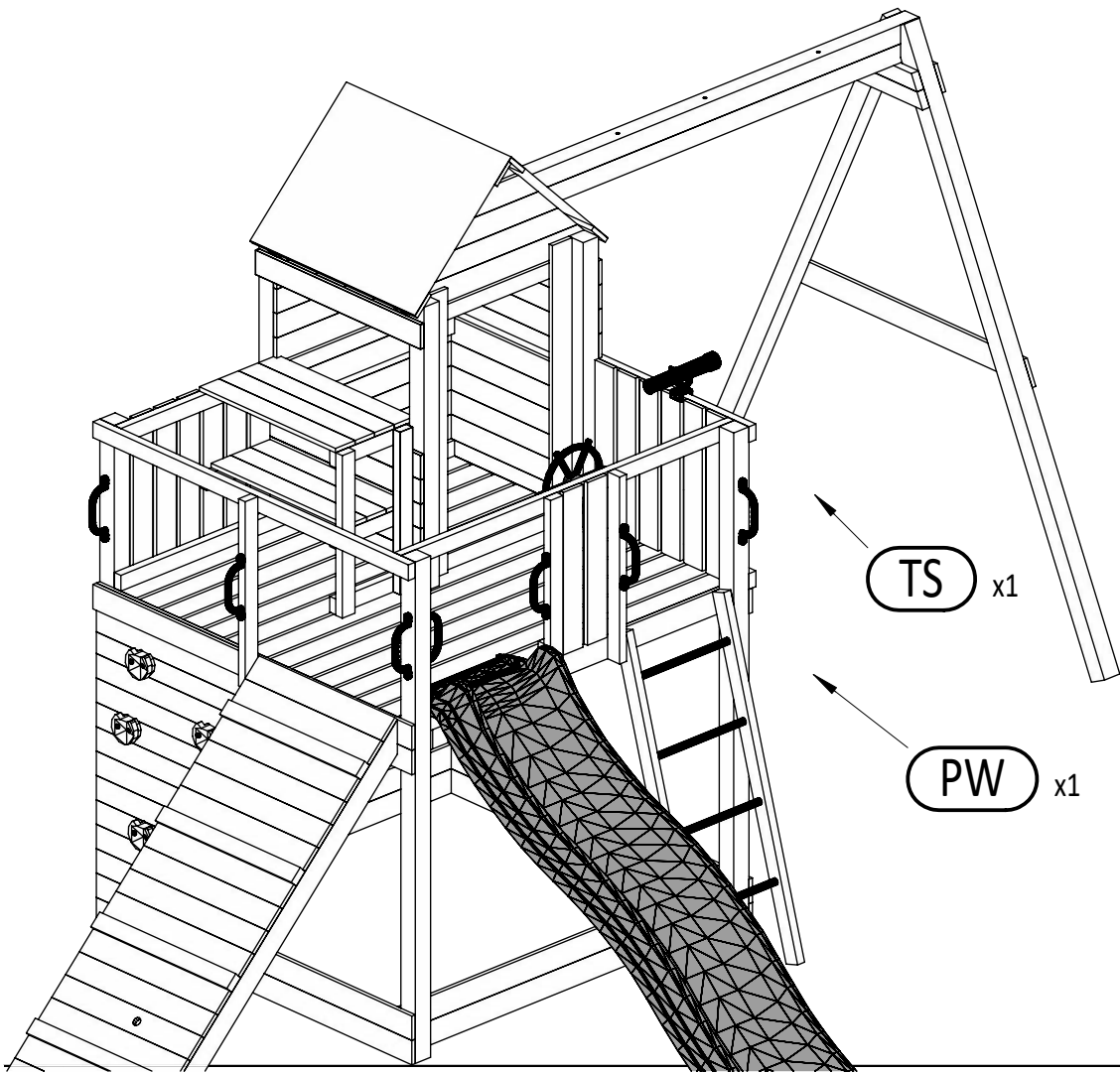
T60 x14

38



W30 x2

26

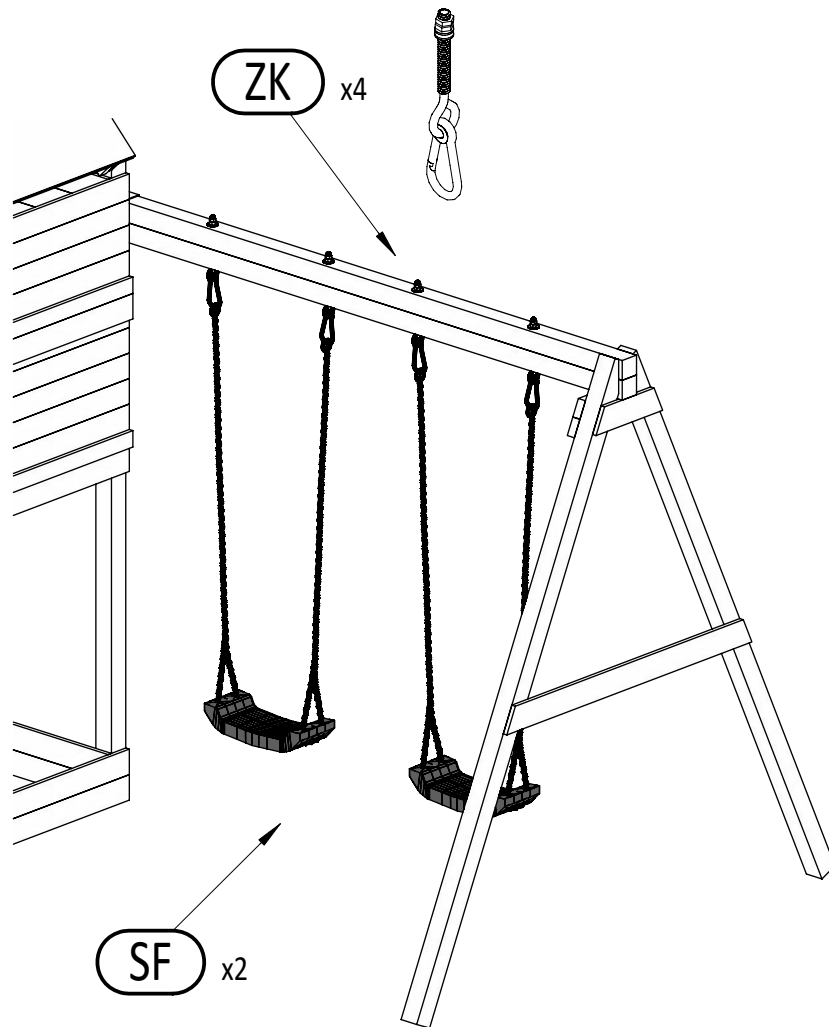
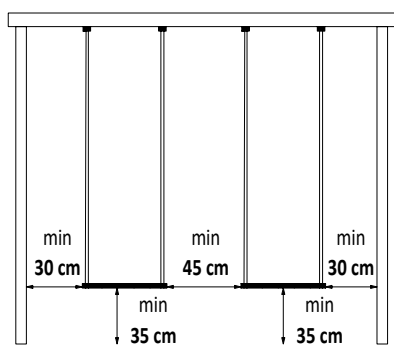
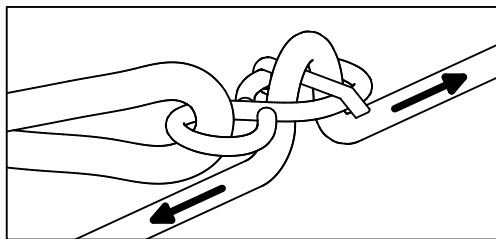


MG x6

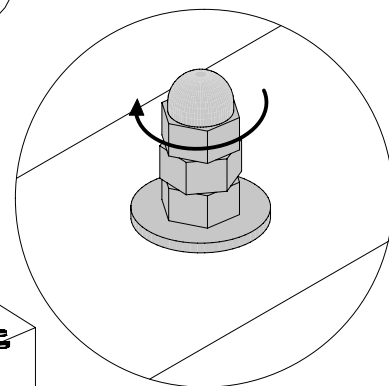
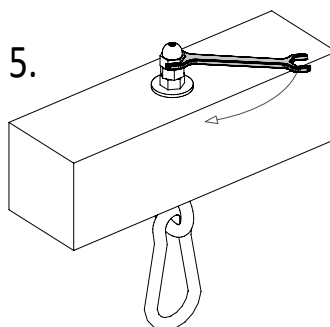
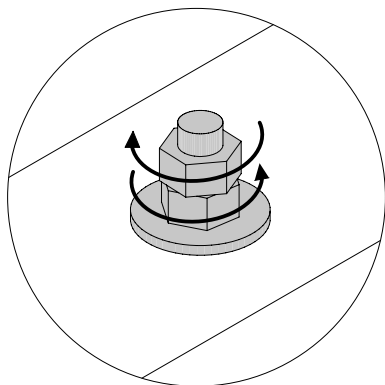
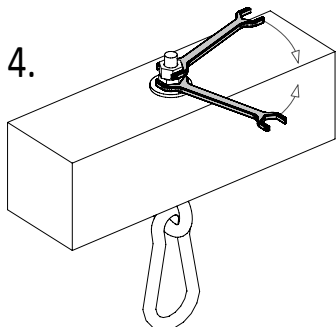
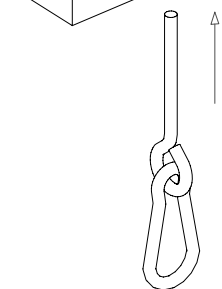
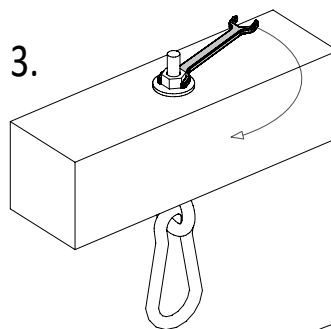
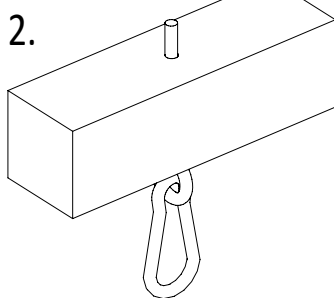
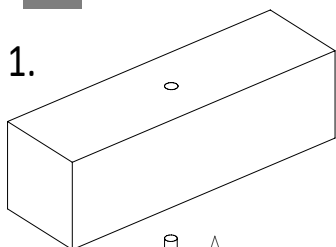
P17 x12

T60 x12

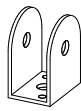
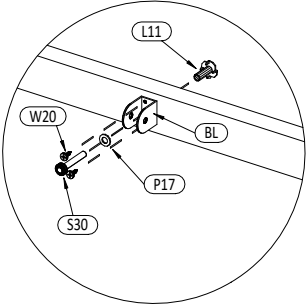
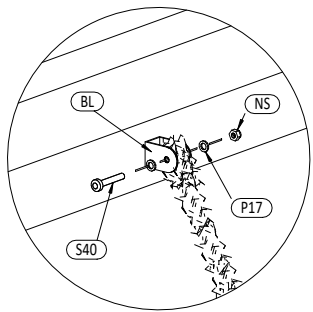
41



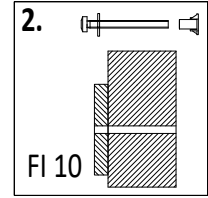
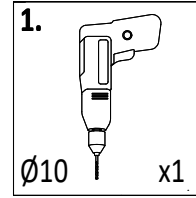
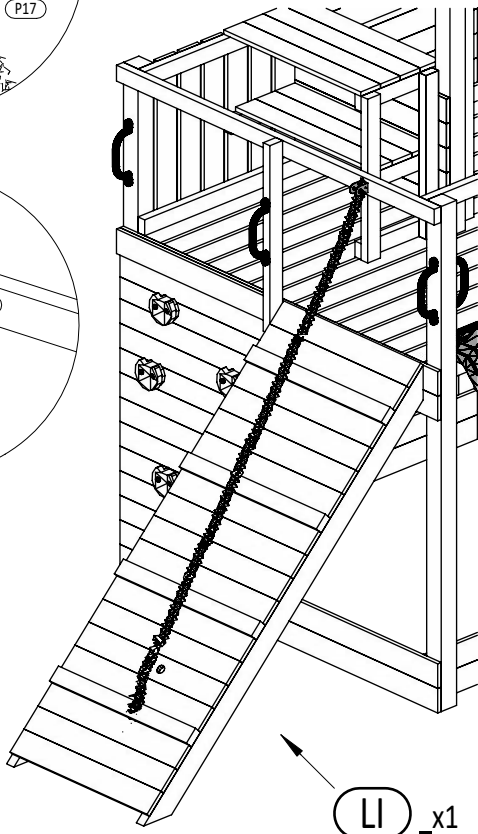
42



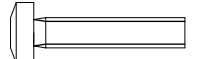
M12 x4



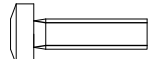
**BL** x1



43



**S40** x1



**S30** x1



**P17** x3



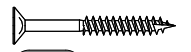
**L11** x1



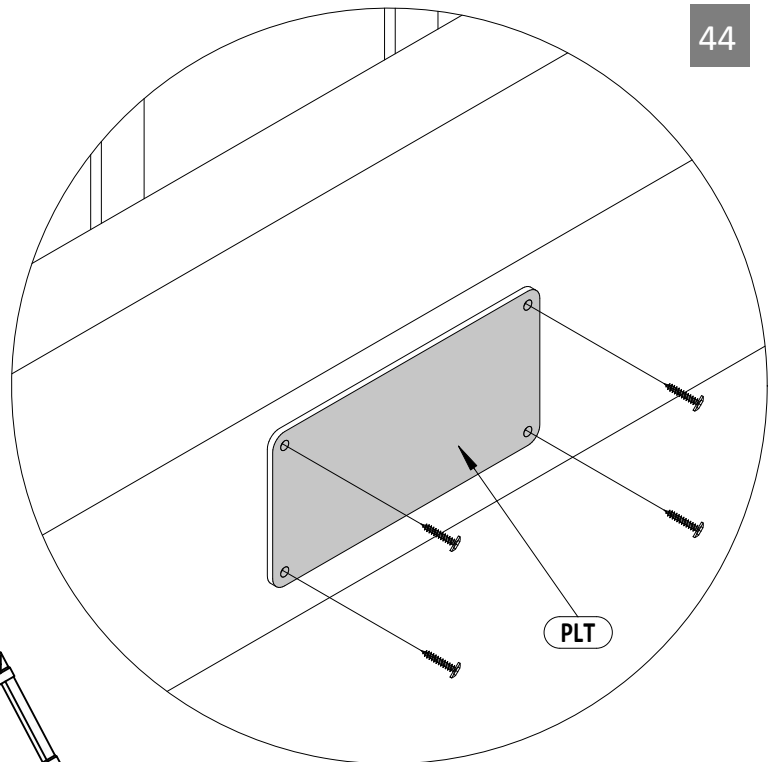
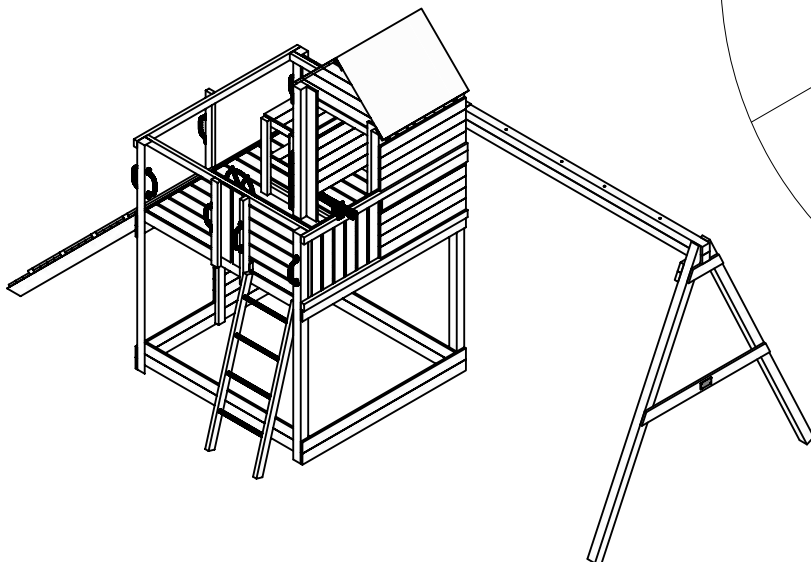
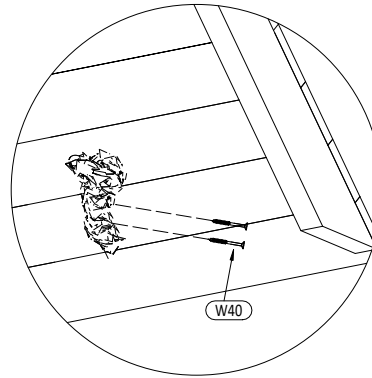
**NS** x1



**W20** x2



**W40** x2



44



**W20** x4

29